

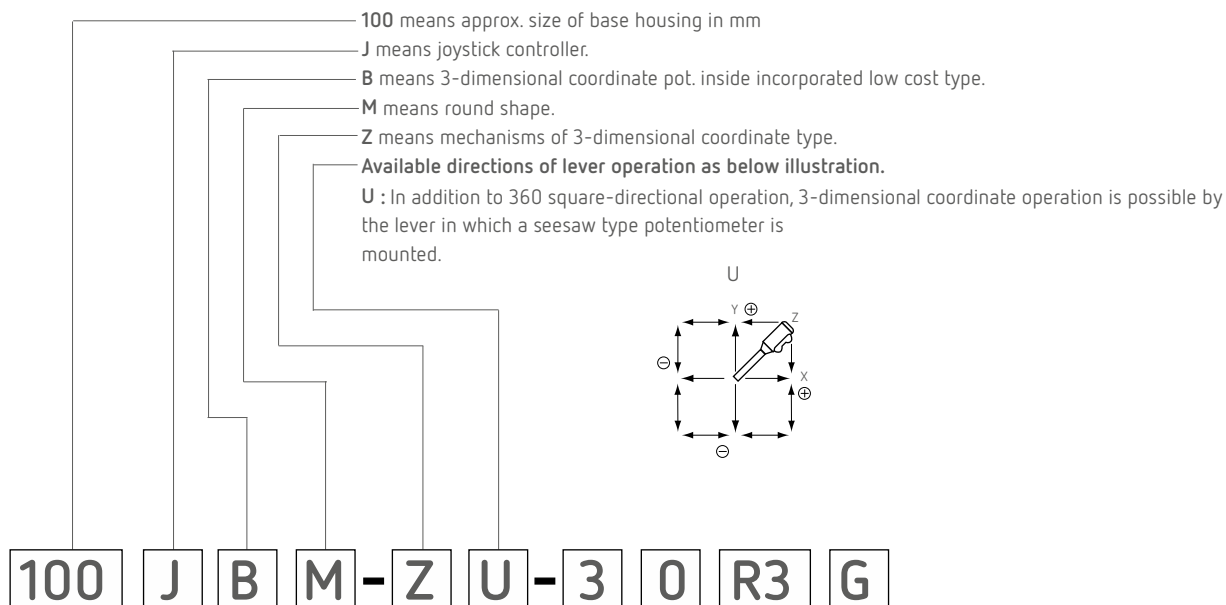


Industrial joystick 100JB

Potentiometer with conductive plastic resistive element (Potentiometer incorporate type)



100JB



Number of potentiometers to be mounted.

3 potentiometers are incorporated.

Number of switches to be mounted.

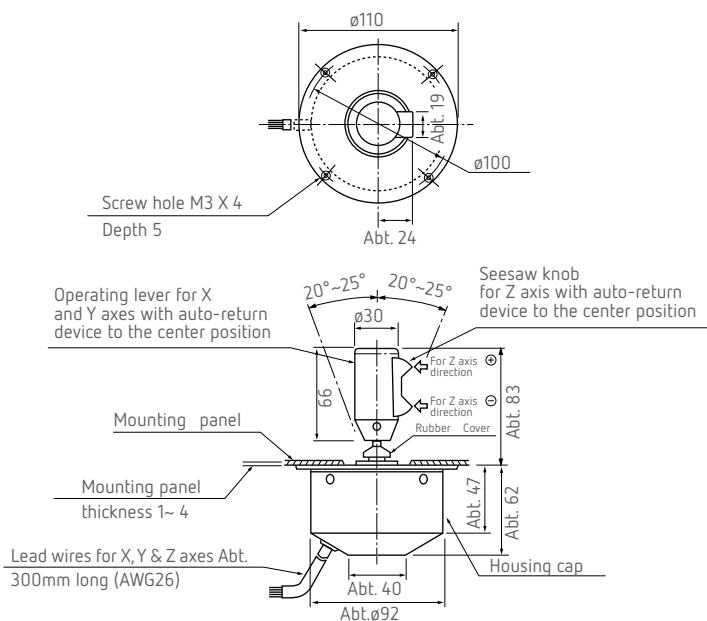
0 no switch is incorporated.

With spring return device :

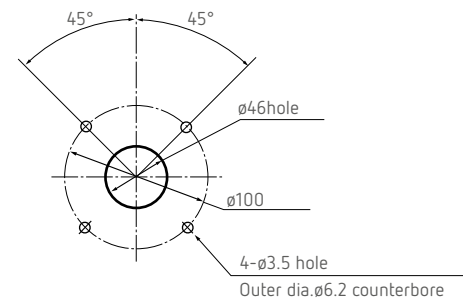
R3 : with spring return device for 3-dimensional coordinate type.

Mounting accessories : G : with dust proof rubber cover.

Standard Dimensions



Panel Arrangements



Note : 4 pcs. of mounting screws (M3 X8) are attached. (Unit : mm)

