

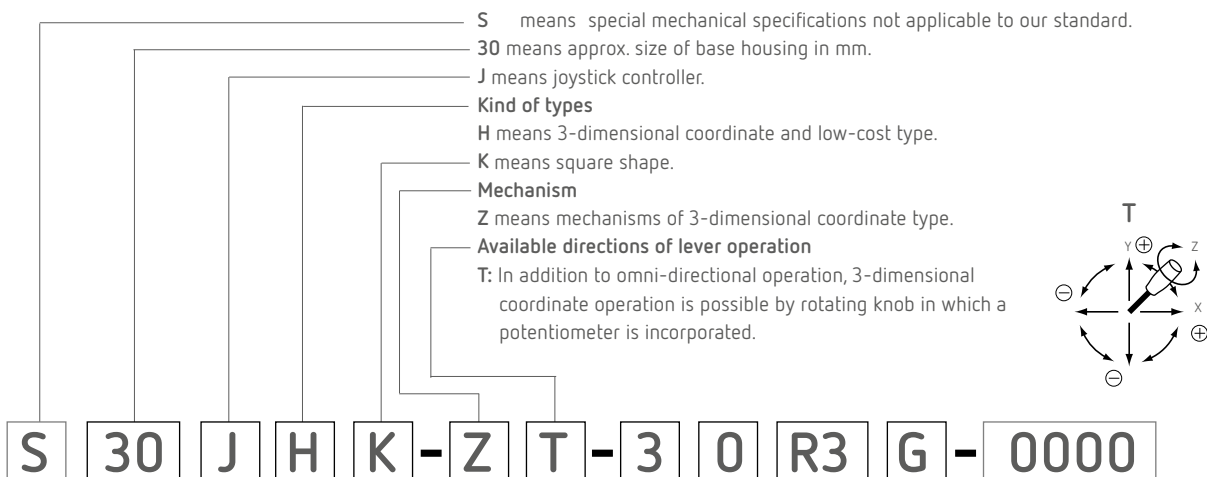


Industrial joysticks Model 30JH

Potentiometer with a conductive plastic resistive element (Potentiometer incorporate type)



Model 30JB



S **30** **J** **H** **K** - **Z** **T** - **3** **0** **R3** **G** - **0000**

Number of potentiometers to be incorporated.

2 potentiometers incorporated (in case of the knob with an incorporated switch.)
 3 potentiometers incorporated.

Number of Switches to be incorporated

0 no switch incorporated.
 2 switches incorporated (These switches are active at the both ends of Z axis. These switches are incorporated inside Z-axis instead of potentiometer. This is special version.)

With spring return device :

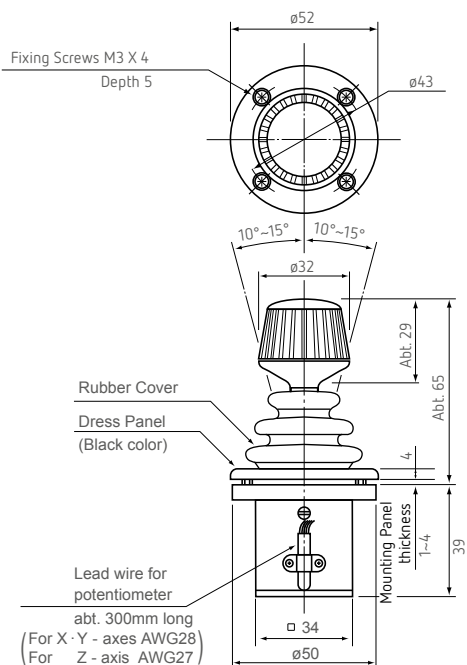
R3 : with spring return device for 3-dimensional coordinate type. (30JH standard option)

Mounting accessories : G: with dust proof rubber cover. (30JH standard option) P: with sub- panel for mounting.

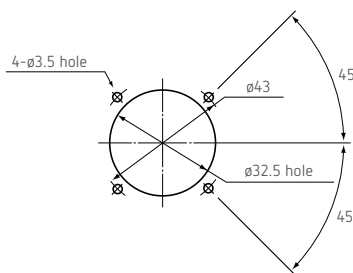
Special part number :

In case we produce customized products, we add 4-digit branch number.

Standard Dimensions



Panel Arrangements



Note: 1) 4 pcs. of mounting screws (M3 X 8) are attached.
 2) Fastening torque of fixing screws shall be below $400\text{mN} \cdot \text{m} (4\text{kgf} \cdot \text{cm})$

(Unit : mm)

Standard Specifications

Mechanical Performance

Controlling range of operating lever : 3-dimensional coordinate type.

X and Y directions : Approx. $\pm 10^\circ \sim \pm 15^\circ$ from center position. (Omni-directionally)

Z direction : Approx. $\pm 30^\circ \sim \pm 35^\circ$ from center position.

Operating force (Omni-directionally)

X and Y directions : Approx. 1~2N (100~200gf)

Z direction : Approx. 30~70mN·m (300~700gf.cm)

Operating temperature range: -20°C~+ 60°C

Vibration : 10-55Hz 98m/s²

Shock : 294m/s²

Life expectancy : Approx. 2,000,000 operations.

Mass : Approx. 130g

Electrical Performance

Potentiometer incorporated: Special conductive plastic resistive element is exclusively used for 30JH series.

(X and Y axes pots)

Resistance value : 10k Ω \pm 20%

Rating : 0.1W

Electrical rotating angle : Approx. 20°

Independent linearity tolerance : \pm 5%

(Z axis pot.)

Resistance value : 10k Ω \pm 20%

Rating : 0.04W

Electrical rotating angle : Approx. 60°

Independent linearity tolerance : \pm 5%

Output smoothness : Below 0.2% against input voltage.

Contact resistance variation : Below 6% C.R.V.

Resolution : Essentially infinite

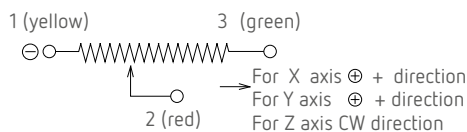
Dielectric strength : 1 minute at 500V.A.C.

Insulation resistance : Over 1,000M Ω at 500V.D.C.



30JHK-ZT-30R3G (Standard)
(3-dimensional coordinate type)

Terminal Connection Diagram



Note: Terminals shall be lead-wire terminals with approx. 300mm long.