

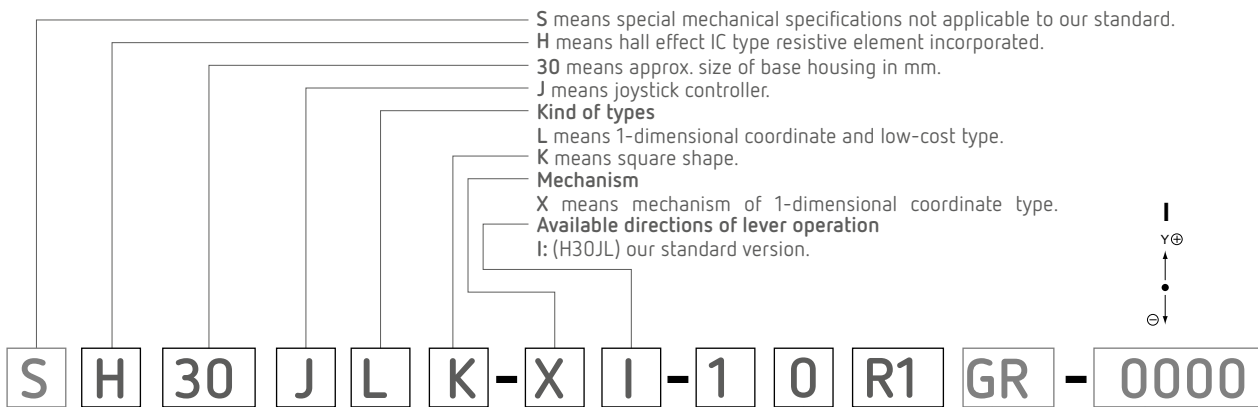


Industrial joysticks H30JL

Potentiometer with a hall effect IC type resistive element (1-dimensional coordinate type)



Model H30JL



Number of potentiometers to be incorporated

0 no potentiometer incorporated. 1 potentiometer incorporated.

Number of switches to be incorporated

0 no switch incorporated. 1 switch incorporated.

With spring return device:

R1 : with spring return device for 1-dimensional coordinate type.

Mounting accessories:

G : with dust proof rubber cover.

R : with round shaped knob

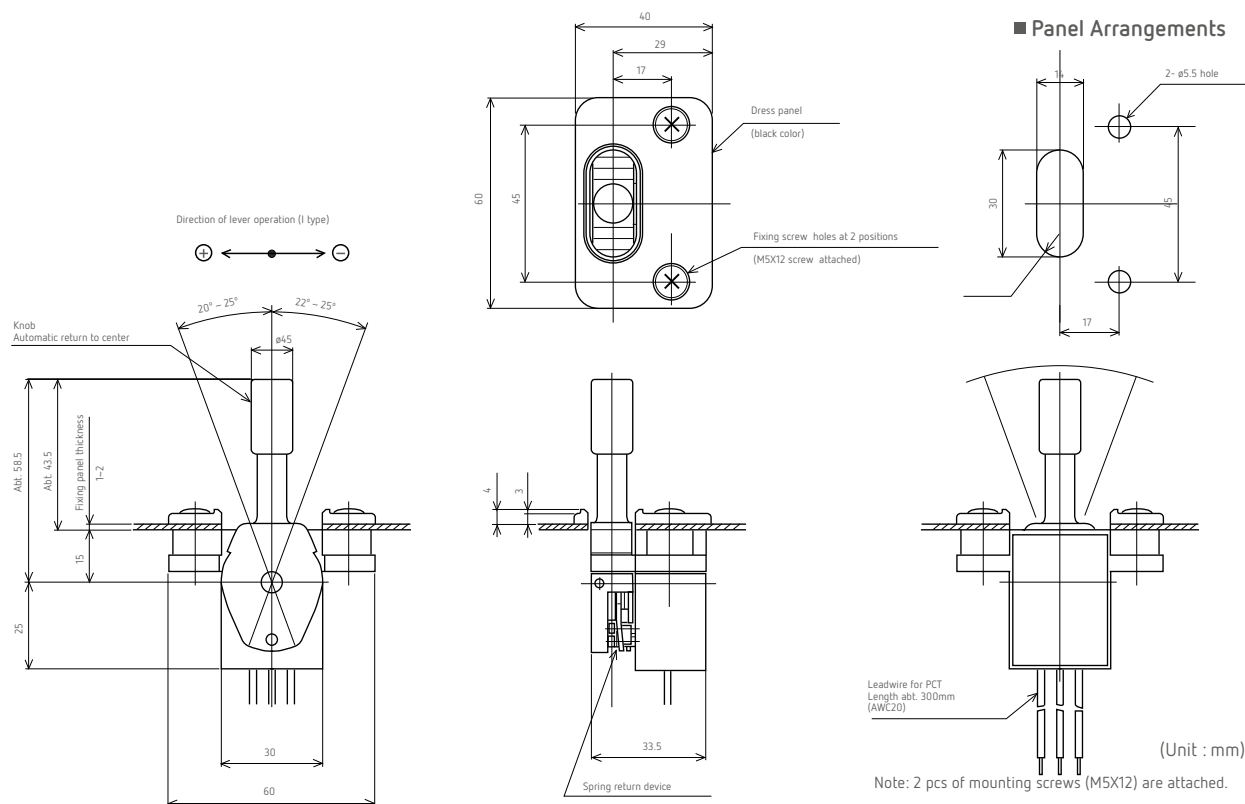
H : with flat shaped knob

P : with sub-panel for mounting

Special part number:

In case we produce customized products, we add 4-digit branch number.

Standard Dimensions



Standard specifications

Mechanical performance

Controlling range of operating lever: 1-dimensional coordinate type $\pm 20^\circ \sim \pm 25^\circ$ from center position.

Operating force (Standard Spring return device: Automatically return to center)

Approx. 1~2.5N (100~250gf)

(With rubber cover: Approx. 1~5.5N (100~550gf))

Operating temperature range: $-20^\circ \sim +60^\circ$

Vibration: 10~55Hz 98m/s²

Shock: 294m/s²

Life expectancy: Approx. 5,000,000 operations.

Mass: Approx. 100g

Electrical performance

Hall effect IC type resistive element incorporated

- Applied voltage: 5V $\pm 10\%$ D.C.

- Effective output: Approx. 0.5V~4.5V

- Independent linearity tolerance: $\pm 3\%$

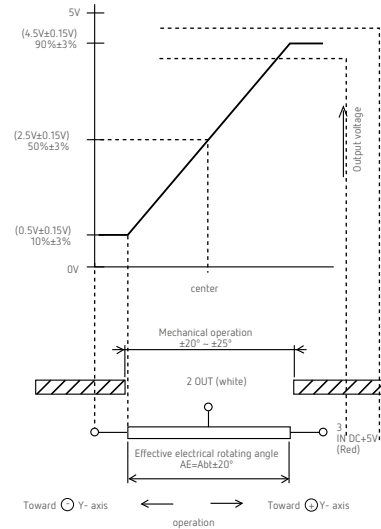
- Load resistance: over 10K Ω

Dielectric strength: 1 minute at 250V.A.C.

Insulation resistance: Over 1000M Ω at 250V.D.C.

EMC durability: 50V/m

Output Characteristic Terminal Connection Diagram



H30JLK-XI-10R1
(Standard)



H30JLK-XI-10R1GR
(With round shaped knob,
sub-panel for mounting, dust
proof rubber cover)



H30JLK-XI-10R1H
(With flat shaped knob,
sub-panel for mounting)