

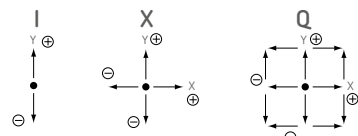
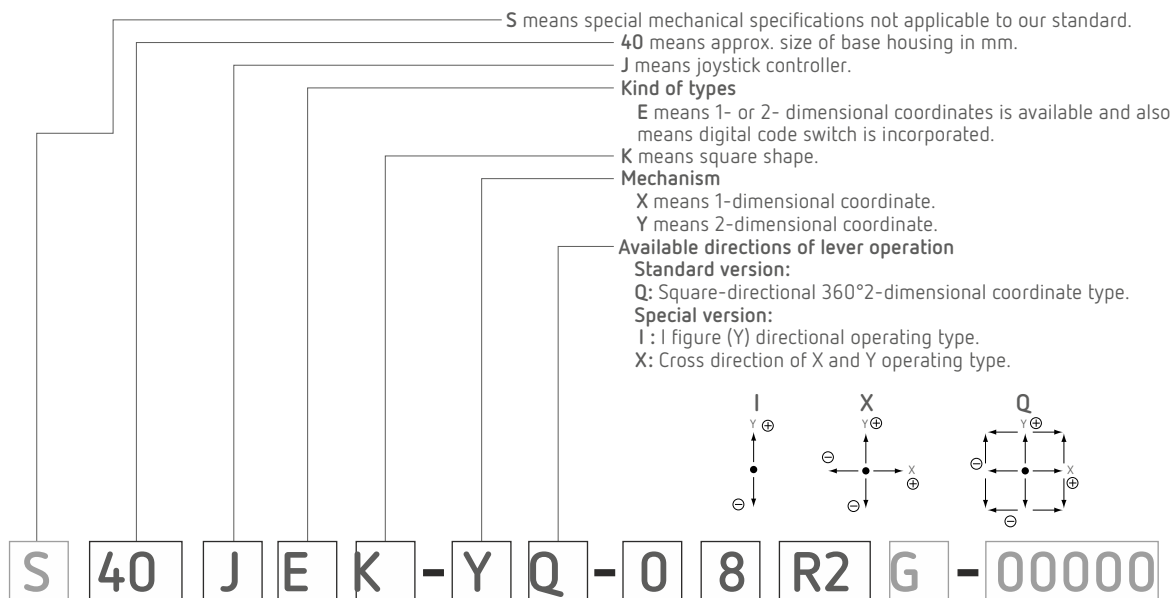


Industrial joysticks Model 40JE

Potentiometer with conductive plastic resistive element (Digital code switch incorporated type)



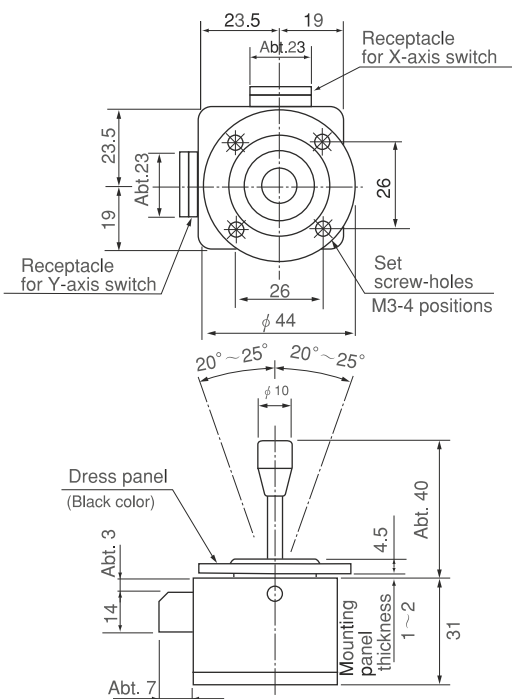
Model 40JE



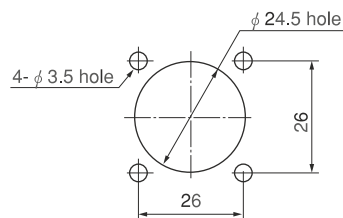
S **40** **J** **E** **K** - **Y** **Q** - **0** **8** **R2** **G** - **00000**

- Number of potentiometers to be incorporated.**
 0... no potentiometer incorporated.(No.potentiometer function available)
- Number of switches to be incorporated.**
 7 ...4bit Gray Digital code switch incorporated.
 8 ...4bit Binary Digital code switch incorporated.
 75 ...5bit Gray Digital code switch incorporated.
- With spring return device :**
 R1 : with spring return device for 1-dimensional coordinate.
 R2 : with spring return device for 2-dimensional coordinate.
- Mounting accessories :**
 G : with dust proof rubber cover.
 P : with sub-panel for mounting.
- Special part number :**
 In case we produce customized products, we add 4-digit or 5-digit branch number.

Standard Dimensions



Panel Arrangements



Note : 1) In case of type Q, the angle of mark "※" becomes 360° square-direction and ±20°~±25° from center position.
 2) 4 pcs. of mounting screw (M3 × 8) are attached.

(Unit : mm)

■ Standard Specifications

Model 40JE Series (Switch inside-incorporated type)

Mechanical Performance

Controlling range of operating lever :

2-dimensional coordinate type : 360° and square-directionally approx. ± 20° ~ ± 25° operation from center position.

Operating Force : Standard spring return device : Automatically return to center : Approx. 1.6~ 3N (160~ 300gf)

Operating temperature range : - 20° C ~ + 65° C

Vibration : 10~ 55Hz 98m/s²

Shock : 294m/s²

Life expectancy : Approx. 5,000,000 operations.

Mass : Approx. 180g

Electrical Performance

Switches used : Rating 12V.D.C. below 1mA

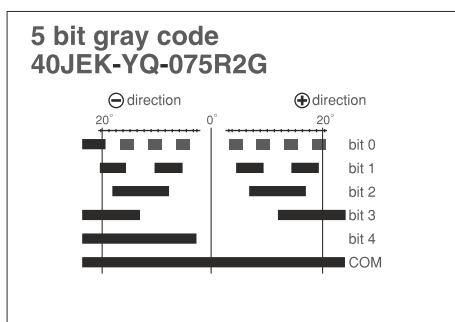
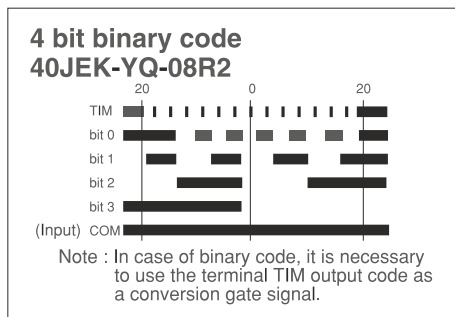
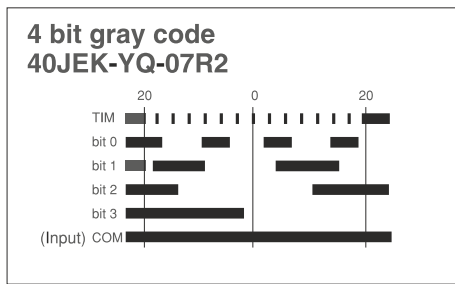
Contact resistance : Below 300mΩ

Dielectric strength : 1 minute at 500V.A.C.

Insulation resistance : Over 100M Ω at 250 V.D.C.

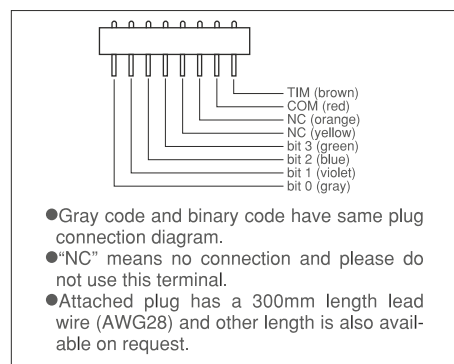
Pattern of Digital Code Switch

When ordering, please specify on which you require gray code or binary code.

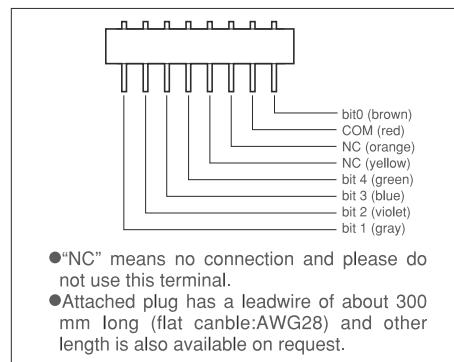


Plug Connection Diagram

For 4 bit



For 5 bit



40JEK-YQ-07R2 (4 bit gray code)
40JEK-YQ-08R2 (4 bit binary code)
40JEK-YQ-075R2 (5 bit gray code)
(Standard)
(2-dimensional coordinate type)



40JEK-YQ-07R2G (4 bit gray code)
40JEK-YQ-08R2G (4 bit binary code)
40JEK-YQ-075R2G (5 bit gray code)
(2-dimensional coordinate type)
with dust-proof rubber cover)

Special Specifications Available

The information provided herein is to the best of our knowledge true and accurate, it is provided for guidance only. All specifications are subject to change without prior notification.

Althen – Your expert partner in Sensors & Controls | althensensors.com

Althen stands for pioneering measurement and custom sensor solutions. In addition we offer services such as calibration, design & engineering, training and renting of measurement equipment.

Germany/Austria/Switzerland
info@althen.de

Benelux
sales@althen.nl

France
info@althensensors.fr

Sweden
info@althensensors.se

USA/Canada
info@althensensors.com

Other countries
info@althensensors.com