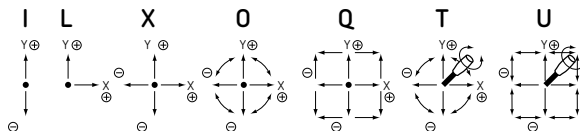




# Model H50JA

S means special mechanical specifications not applicable to our standard.  
 H means hall effect IC type potentiometer(HSM18E) incorporated type.  
 50 means approx. size of base housing in mm.  
 J means joystick controller.  
**Kind of types**  
 A means 1- or 2- dimensional coordinate and also means hall effect IC type. potentiometers are mounted outside housing case.  
 K means square shape.  
**Mechanism**  
 X means 1-dimensional coordinate.  
 Y means 2-dimensional coordinate.  
**Available directions of lever operation as below illustration**  
**Standard version:**  
 O: Omni-directional 360° operating type.  
**Special version:**  
 I: I figure (Y) directional operating type.  
 L: L figure(+Y, +X only) directional operating type.  
 X: Cross direction(+) of X and Y operating type.  
 Q: Square-directional 360° operating angle.  
 T: In addition to 360-omni-directional operation, 3-dimensional coordinate operation is possible by rotating knob in which a potentiometer is incorporated.  
 U: In addition to "Q operation", 3-dimensional coordinate operation is possible by rotating knob in which a potentiometer is incorporated.  
 S: Special directions of lever operation other than above mentioned types.



**S** **H** **50** **J** **A** **K** - **Y** **O** - **2** **0** **R2** **G** - **0000**

**Number of potentiometers to be incorporated**

0 no potentiometer incorporated. 1 potentiometer incorporated.  
2 potentiometers incorporated.

**Number of switches to be incorporated**

0 no switch incorporated. 1 switch incorporated. 2 switches incorporated.  
3 switches incorporated. 4 switches incorporated.  
5 switches incorporated. 6 and over 6 switches incorporated.  
9 Other switches to your special request.

**With spring return device:**

R1: with spring return device for 1-dimensional coordinate.  
R2: with spring return device for 2-dimensional coordinate.

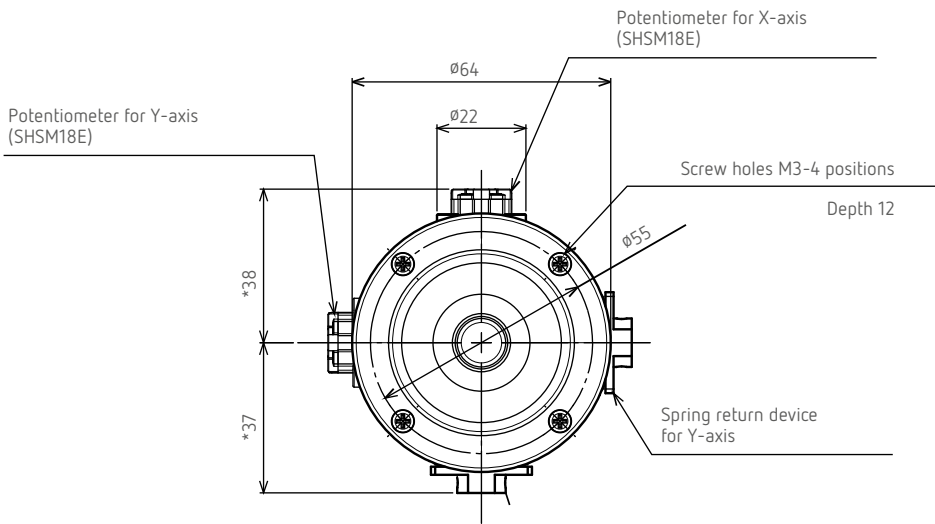
**Mounting accessories:**

G: with dust proof rubber cover.  
P: with sub-panel for mounting.

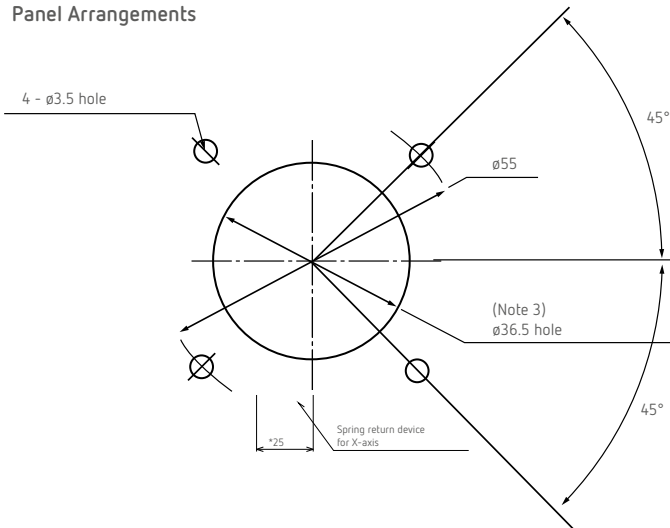
**Special part number:**

In case we produce customized product, we add 4-digit branch number.

Standard dimensions



Panel Arrangements



Note: In case of a dust-proof rubber cover is mounted, it is Ø44 hole.

- Note:
1. In case a dust-proof rubber cover is mounted, the shape of dress panel shall change. \* numeral in parentheses shows that of with a dust-proof cover.
  2. 4 pcs of mounting screws (M3X14) are attached.

(Unit : mm)

