

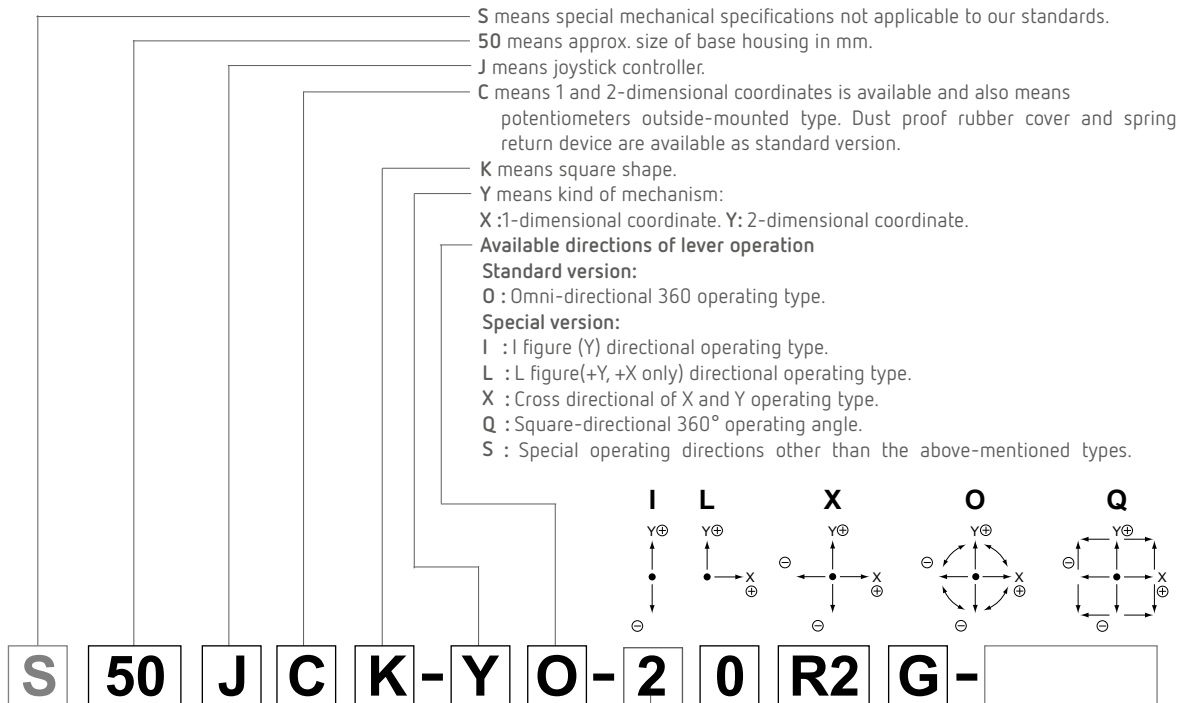


Industrial joysticks Model 50JC

Potentiometer with conductive plastic resistive element (Potentiometer outside-mounted type)



Model 50JC



Number of potentiometers to be mounted.

- 0 no potentiometer mounted.
- 1 potentiometer mounted.
- 2 potentiometers mounted.
- 3 potentiometers mounted.

Number of switches to be mounted.

- 0 no switch mounted.
- 1 switch mounted.
- 2 switches mounted.
- 3 switches mounted.
- 4 switches mounted.
- 5 switches mounted.
- 6 and over 6 switches mounted.
- 9 other switches to your special request.

With spring return device : (50JC standard)

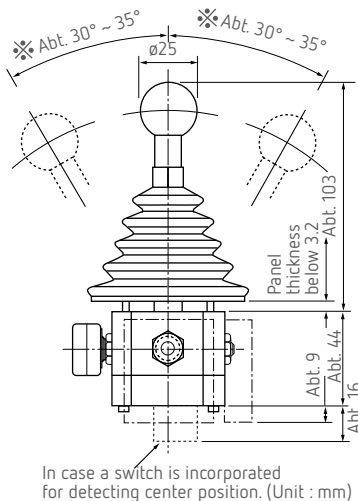
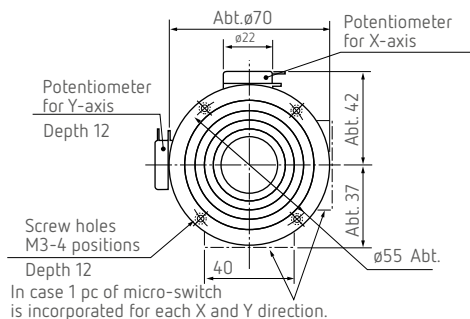
- R1: with spring return device for 1-dimensional coordinate.
- R2: with spring return device for 2-dimensional coordinate.

Mounting accessories : G: with dust proof rubber cover.(50JC standard) P: with sub-panel for mounting.

Special part number :

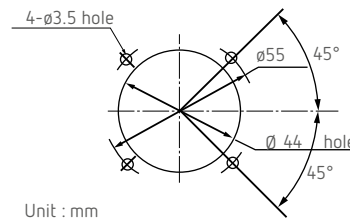
In case we produce customized product, we add 4-digit branch number.

Standard Dimensions



Panel Arrangements

In case of 1 and 2-dimensional coordinates



■ Standard Resistance Values | No. Of Wire Turns | Resistance Wire Used

Mechanical Performance

Controlling range of operating lever :

- 2-dimensional coordinate type : Omni-directionally approx. $\pm 30^\circ \sim \pm 35^\circ$ operation from center position. **Operating force :**

Standard spring return device : Automatically return to center (omni-directional type)

Approx. 3~15N (300~ 1,500gf.)

Operating temperature range: $-20^\circ\text{C} \sim + 65^\circ\text{C}$

Vibration : $10 \sim 55\text{Hz } 98\text{m/s}^2$

Shock : 294m/s^2

Life expectancy : Approx. 5,000,000 operations.

Mass : Approx. 350g

Electrical Performance

Potentiometers mounted : SFCP22E $10\text{k}\Omega \pm 15\%$, 0.2W, independent linearity tolerance $\pm 3\%$ (conductive plastic resistive element). (Electrical rotating angle : Approx. 60°)

[All terminals can be fitted with the AMP110 series fasten receptacle (2.8 X 0.5mm) or equivalents.]

Output smoothness : Below 0.2% against input voltage.

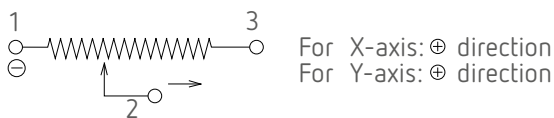
Contact resistance variation : Below 5% C.R.V.

Resolution : Essentially infinite

Dielectric strength : 1 minute at 500V.A.C.

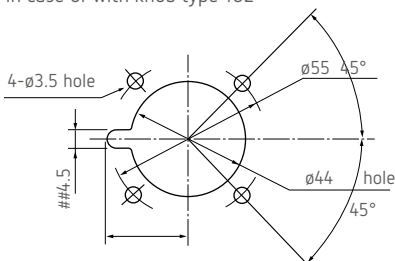
Insulation resistance : Over $1,000\text{M}\Omega$ at 500V.D.C.

Terminal Connection Diagram



Panel Arrangements

in case of with knob type 102



1. In case of type Q, the angle of mark "##" becomes 360° square- direction and $\pm 20^\circ \sim \pm 25^\circ$ from center position.
2. In case of JC with knob type 102, if other components, except our standard pot model SFCP22E, are mounted, the position of mark "##" may be changed to other position.
3. 4 pcs. of mounting screw (M3 X 8) are attached.

(Unit : mm)



50JCK-Y0-20R2G (Standard)
(2-dimensional coordinate type)



S50JCK-Y0-25R2G
(With 5 micro-switches and 1 of them is for detecting the center position)