



Model 200FCW

S 200 FCW - 1 0 A - 0 0 0 0

S
 S means special mechanical specifications not applicable to our standard.

200
 200 means approx. size of base housing in mm.

FCW
 FC means Foot Controller, W means see-saw pedal type.

Special part number :
 In case we produce customized product, we add 4-digit branch number.

①

②

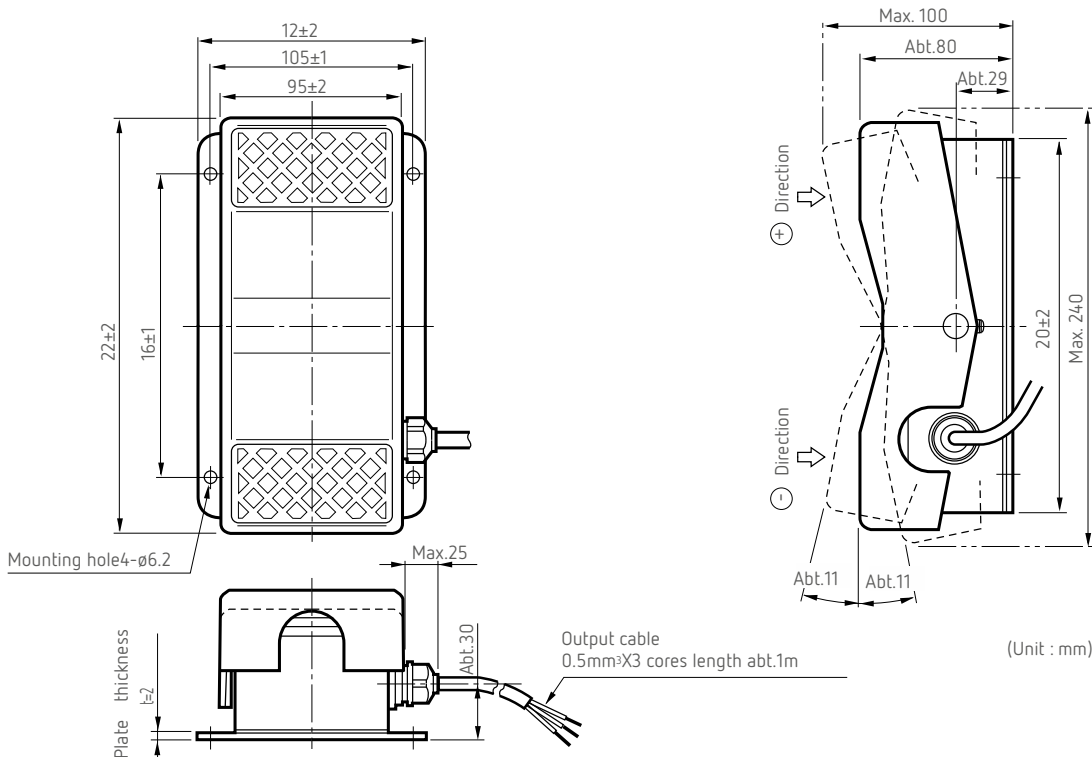
0 ① Number of switches to be incorporated (Option).
 0--No switch incorporated.
 1--1 switch incorporated.
 2--2 switches incorporated.

A ② Rating of switch : A. B. C. ---Code-switch
 D. E. F. ---Micro-switch
 G. ---Other switch

1 Number of potentiometers to be incorporated (model SFCP22E)

0--No potentiometer incorporated.
 1--1 potentiometer incorporated.
 2--2 potentiometers incorporated (Option).

Standard Dimensions



Standard Specifications

Mechanical Performance

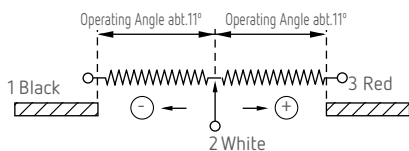
Operating method : Stepping see-saw pedal type
Operating angle : Approx. $\pm 11^\circ$
Operating force : Standard spring return device: Automatically return to center.
 Abt. 20N (Abt. 2,000gf.)
Operating temperature range : $20^\circ\text{C} \sim +65^\circ\text{C}$
Vibration : $10 \sim 55\text{Hz}$ 98m/s^2
Shock : 294m/s^2
Life expectancy : Approx. 1,000,000 operations
Mass : Approx. 1.5kg

Electrical Performance

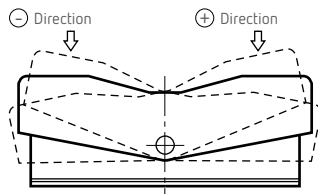
Potentiometer incorporated : SFCP22E, $10\text{k}\Omega$ $\pm 20\%$, 0.35W, Independent linearity tolerance $\pm 3\%$ (conductive plastic resistive element)
Electrical rotating angle : Approx. 75° Center shortened zone : With a shortened zone with abt. 8° (abt. $\pm 4^\circ$) in the center position
Center returning accuracy : $50\% \pm 1.5\%$
Output smoothness : Below 0.2% against input voltage
Contact resistance variation : Below 5% C.R. V.
Resolution : Essentially infinite

Dielectric strength : 1minute at 500V A.C.
Insulation resistance : Over $1,000\text{M}\Omega$ at 500V D. C.

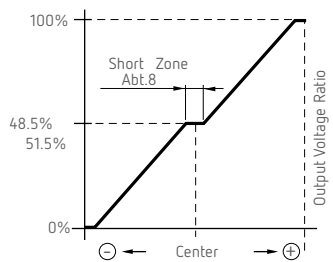
Terminal Connection Diagram



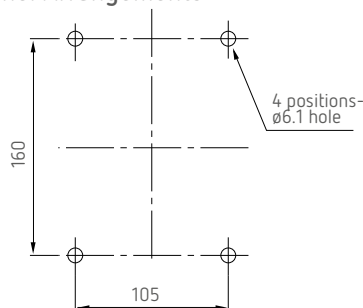
Output Characteristics



Output Characteristic of Incorporated Pot. (Theoretical Value)



Panel Arrangements



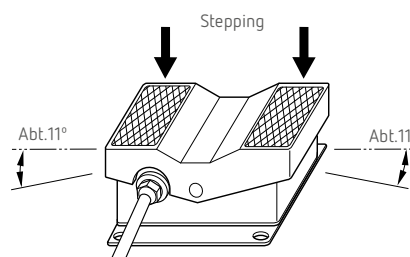
Special Specifications Available

- **With switch incorporated** : If you require the pedal with one switch, unless specified, we supply the pedal with A version switch (code-switch with "ON" operation at about 3 from the beginning of stepping).
- Automatically one-sided return type
- With a center tap on the incorporated pot.

(Model S200FCW-11G)

- IP65 sealing
- 2 ganged potentiometer
- Special resistance value on potentiometer
- An intermediate tap on potentiometer

Angle of Stepping



200FCW-10
(Standard)