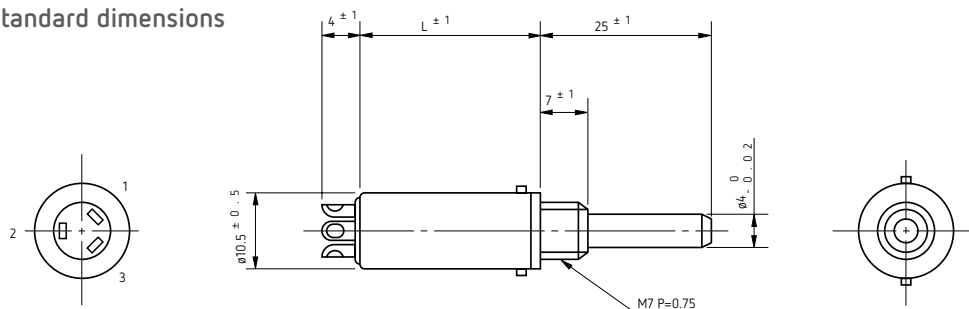




**α 10HP**

**Standard dimensions**



**Model 10HP-10**  
World's smallest 10-turn pot.

Model No.	L
10HP-5	19.2
10HP-10	25.5

Note: 1 pc. inner teeth washer and 2 pcs. hex nuts are attached

**Standard Model Nos.**

- 10HP-5 (5-turn)
- 10HP-10 (10-turn)

**General Specifications**

**Standard Resistance**

**Range:** 100Ω to 20kΩ (5-turn)  
100Ω to 20kΩ (10-turn)

**Max. Practical Resistance Value:** 50kΩ (5-turn)  
100kΩ (10-turn)

**Total Resistance Tolerance:** Standard Class ±3%(H)  
Precision Class ±1%(F)

**Independent Linearity Tolerance:**

	5-turn	10-turn
Standard Class	±0.35%	±0.25%
Precision Class (within 5kΩ)	±0.2% (±0.25%)	±0.1% (±0.15%)

**Power Rating:** 0.5W (5-turn)  
1.0W (10-turn)

**Noise:** Within 100Ω E.N.R.

**Electrical Travel:** 360° Xn ±5° (n: No. of turns)

**Mechanical Travel:** 360° Xn <sup>+30°</sup><sub>0</sub> (n: No. of turns)

**Insulation Resistance:** Over 100 MΩ at 500 V.D.C.

**Dielectric Strength:** 1 minute at 500 V.A.C.

**Starting Torque:** Within 3mN·m (30gf·cm)

**Stopper Strength:** Approx. 0.1N·m (1kgf·cm)

**Max. Torque exerted on fastening the mounting nut to the bushing:** Within 1N·m (10kgf·cm)

**Max. Working Voltage:** 450 V

**Resist. Temperature Coefficient of Wire:** ±20p.p.m./°C

**Mass:** Approx. 17g (5-turn)

Approx. 20g (10-turn)

### Standard Resistance Values | No. Of Wire Turns | Resistance Wire Used

Resist. Value ( $\Omega$ )	100	200	500	1k	2k	5k	10k	20k	50k	100k
10HP-5	7 5 0	6 2 0	8 3 0	1, 0 5 0	1, 3 3 0	1, 8 2 0	2, 3 0 0	2, 9 4 0	※3, 9 0 0	
10HP-10	1, 2 0 0	1, 5 0 0	1, 3 5 0	1, 6 7 0	2, 1 0 0	2, 8 6 0	3, 6 4 0	4, 5 5 0	6, 2 5 0	※7, 8 5 0
Resist. Wire Used	Cu-Ni System			Ni-Cr System						

Note: Mark ※ shows value at special higher practical resistance

### Special Specifications Available

3-turn type (S10HP-3), lower resistance values (20 $\Omega$ , 50 $\Omega$ ), shaft dia. ( $\varnothing$ 3.175mm) • bushing with inch dimensions, special machining on the shaft, shaft with front and rear extension (rear shaft with 0.8mm dia. and 10mm length).

The information provided herein is to the best of our knowledge true and accurate, it is provided for guidance only. All specifications are subject to change without prior notification.

**Althen – Your expert partner in Sensors & Controls | [althensensors.com](http://althensensors.com)**

Althen stands for pioneering measurement and custom sensor solutions. In addition we offer services such as calibration, design & engineering, training and renting of measurement equipment.

Germany/Austria/Switzerland  
info@althen.de

Benelux  
sales@althen.nl

France  
info@althensensors.fr

Sweden  
info@althensensors.se

USA/Canada  
info@althensensors.com

Other countries  
info@althensensors.com