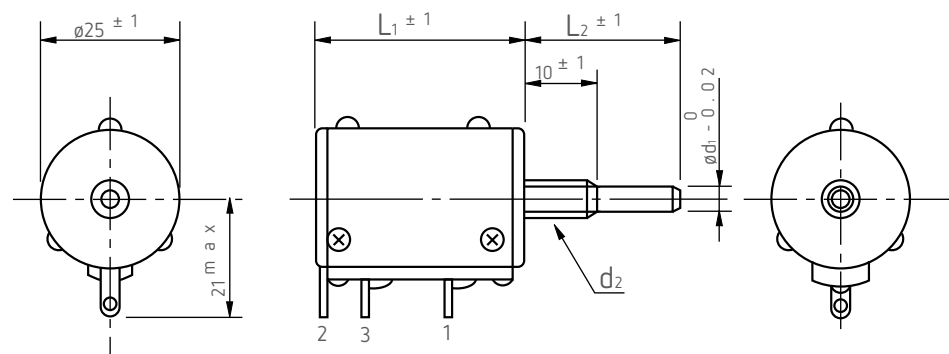




α 25HP

Standard dimensions

Bushingmount type

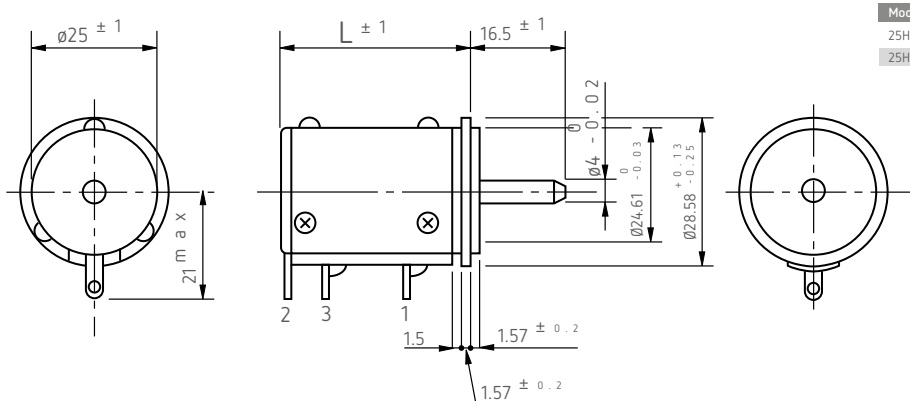


Model no	L1
25HP-5	29
25HP-10	37.5

Shaft Designation	Shaft Dimensions		Mounting Screw
	d1	L2	d2
B	ø4	2.5	M7 P=0.75
C	ø6	2.8	M9 P=0.75
D	ø6	18.5	M9 P=0.75
E	ø6	2.5	M9 P=0.75

Note: 1. Unless otherwise specified our standard shaft designation is B.
2. 1 pc. Inner teeth washer and 2 pcs. Hex nuts are attached

Servomount type



Model no	L
25HPS-5	30.5
25HPS-10	39

Standard Model Nos.

Bushingmount type:

25HP-5 (B~E) (5-turn)
25HP-10 (B~E) (10-turn)

Servomount type:

25HPS-5 (5-turn)
25HPS-10 (10-turn)

Note: Our standard shaft designation is B. Unless otherwise specified

General Specifications

Standard Resistance Range:	100Ω to 50kΩ (5-turn) 100Ω to 100kΩ (10-turn)	Electrical Travel:	360° Xn ±5° (n: No. of turns)
Max. Practical Resistance Value:	100Ω (5-turn) 200Ω (10-turn)	Mechanical Travel:	360° Xn $\begin{matrix} +10^\circ \\ 0 \end{matrix}$ (n: No. of turns)
Total Resistance Tolerance:	Standard Class ±3%(H) Precision Class ±1%(F)	Insulation Resistance:	Over 100 MΩ at 1,000 V.D.C.
Independent Linearity Tolerance:		Dielectric Strength:	1 minute at 1,000 V.A.C.
		Starting Torque:	Within 8mN·m (80gf·cm) (Bushing mount) Within 5mN·m (50gf·cm) (Servomount)
		Stopper Strength: Max. Working Voltage:	Approx. 0.9N·m (9kgf·cm) 900V
Power Rating:	1.5W (5-turn) 2.0W (10-turn)	Resist. Temperature Coefficient of Wire:	±20p.p.m./°C
Noise:	Within 100Ω E.N.R.	Mass:	Approx. 50g (5-turn) Approx. 60g (10-turn)

Standard Resistance Values | No. Of Wire Turns | Resistance Wire Used

Resist. Value (Ω)	100	200	500	1k	2k	5k	10k	20k	50k	100k	200k
25HP-5	1,300	1,700	2,000	2,400	2,500	3,200	4,000	5,000	7,000	8,800	-
25HP-10	2,000	2,600	3,100	4,000	4,800	5,000	6,500	8,000	10,000	14,000	※18,000
Resist. Wire used	Cu-Ni System					Ni-Cr System					

Note: Mark ※ shows value at special higher practical resistance

Special Specifications Available

Lower resistance (10Ω, 20Ω, 30Ω), 3-turn type (S25HP-3), 15-turn type (S25HP-15), 20-turn type (S25HP-20), extra taps (available up to 5 taps), multi-ganged (available up to 2 gangs), shaft with front and rear extension (rear shaft with 3mm dia. and 10mm length), shaft dia. (ø3.175mm, ø6.35mm) • bushing with inch dimensions, with a limit-switch adaptor, special machining on the shaft.