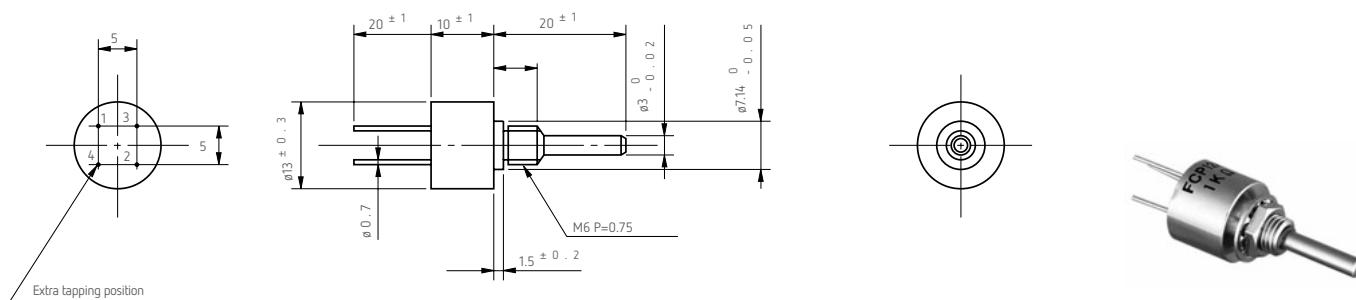




**α** FCP12AC

**Standard dimensions**



- Note:**
- 1pc. Each inner teeth washer and hex nut are attached.
  - Please process the mounting hole on the panel to be mounted with this potentiometer by the diameter of 7.14mm

**General Specifications**

**Standard Resistance**

**Values:** 1k, 2k, 5k, 10 k (Ω)  
**Special Practical Resistance Values:** 500, 20k, 50k, 100k (Ω)  
**Total Resistance Tolerance:** Standard Class ±15% (L)  
 Precision Class ±10% (K)

**Independent Linearity**

**Tolerance:** Standard Class ±2.0%  
 Precision Class ±1.0%

**Resolution:**

Essentially infinite

**Output Smoothness:**

Within 0.1% against input voltage

**Contact Resistance**

**Variation:** Within 3% C.R.V.

**Power Rating:** 0.2W

**Electrical Travel:** 300° ±5°

**Mechanical Travel:** 360° (Endless)

**Insulation Resistance:** Over 1,000MΩ at 500 V.D.C

**Dielectric Strength:** 1 minute at 500 V.A.C.

**Starting Torque:** Within 2mN·m (20gf·cm)

**Resistance**

**Temperature Coefficient:** ±400p.p.m./°C

**Mass:**

Approx. 8g

**Special Specifications Available**

Extra taps (available up to 1 tap), shaft with front and rear extension (rear shaft with 1mm dia. and 10mm length), with stopper (rotating angle becomes 310° and stopper strength is 0.3N·m [3kgf·cm]), special electrical travel, shaft dia. (ø3.175mm) bushing with inch dimensions, special machining on the shaft.