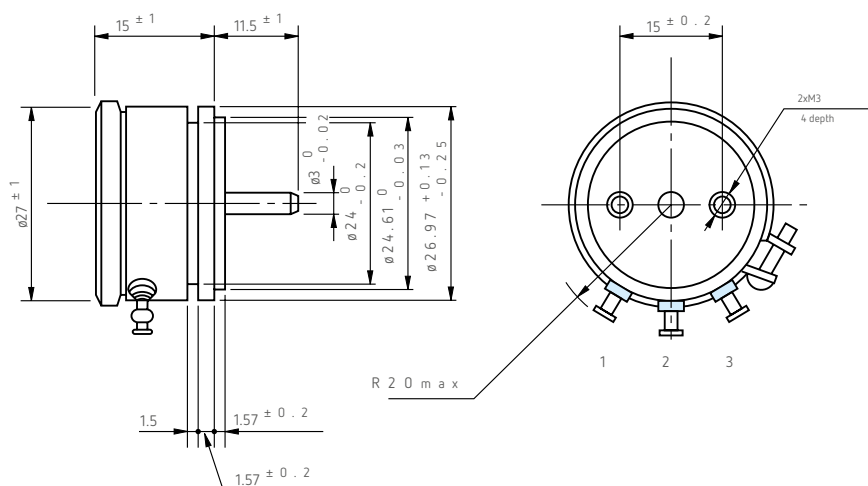




α FCP30A

Standard dimensions



Model FCP30A

General Specifications

Standard Resistance

Values: 1k, 2k, 5k, 10 k (Ω)

Special Practical

Resistance Values: 500, 20k, 50k, 100k (Ω)

Total Resistance

Tolerance: Standard Class $\pm 10\%$ (K)

Independent Linearity

Tolerance: Standard Class $\pm 1.0\%$
Precision Class $\pm 0.5\%$
Super precision Class $\pm 0.2\%$

Resolution: Essentially infinite

Output Smoothness: Within 0.1% against input voltage

Contact Resistance

Variation: Within 2% C.R.V.

Power Rating: 1.5W

Electrical Travel: $340^\circ \pm 5^\circ$

Mechanical Travel: 360° (Endless)

Insulation Resistance: Over 1,000M Ω at 1,000 V.D.C

Dielectric Strength: 1 minute at 1,000 V.A.C.

Starting Torque: Within 2mN·m (20gf·cm)

Resistance

Temperature

Coefficient: ± 400 p.p.m./ $^\circ\text{C}$

Mass: Approx. 30g

Special Specifications Available

Extra taps (available up to 1 tap), multi-ganged (available up to 5 gangs, housing length is extended by 8.5mm per 1 gang), shaft with front and rear extension (rear shaft with 3mm dia. and 10mm length), with stopper (rotating angle becomes 320° and stopper strength is $0.3\text{N}\cdot\text{m}$ [$3\text{kgf}\cdot\text{cm}$]), special electrical travel, shaft dia. ($\phi 3.175\text{mm}$) with inch dimensions, special machining on the shaft.