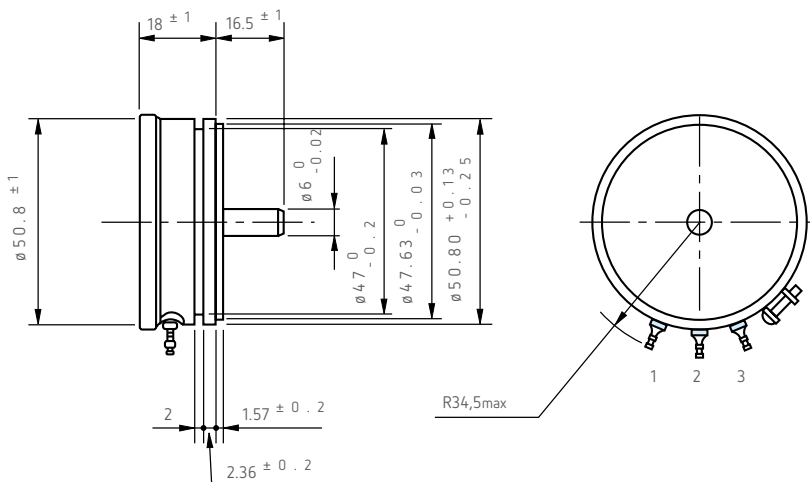




α FCP50A

Standard dimensions



Model FCP50A

General Specifications

Standard Resistance

Values:	1k, 2k, 5k, 10 k (Ω)
Special Practical Resistance Values:	500, 20k, 50k, 100k, 200k, 500k (Ω)
Total Resistance Tolerance:	Standard Class ±10% (K)
Independent Linearity Tolerance:	Standard Class ±0.5%
	Precision Class ±0.2%
	Super precision Class ±0.05%

Resolution:	Essentially infinite
Output Smoothness:	Within 0.1% against input voltage

Contact Resistance

Variation:	Within 2% C.R.V.
Power Rating:	3.0W
Electrical Travel:	350° ±5°
Mechanical Travel:	360° (Endless)
Insulation Resistance:	Over 1,000MΩ at 1,000 V.D.C
Dielectric Strength:	1 minute at 1,000 V.A.C.
Starting Torque:	Within 4mN·m (40gf·cm)
Resistance Temperature Coefficient:	±400p.p.m./°C
Mass:	Approx. 80g

Special Specifications Available

Extra taps (available up to 3 taps), multi-ganged (available up to 7 gangs, housing length is extended by 12mm per 1 gang), shaft with front and rear extension (rear shaft with 6mm dia. and 15mm length), with stopper (rotating angle becomes 320° and stopper strength is 0.9N·m [9kgf·cm]), special electrical travel, shaft dia. (ø6.35mm) with inch dimensions, special machining on the shaft.