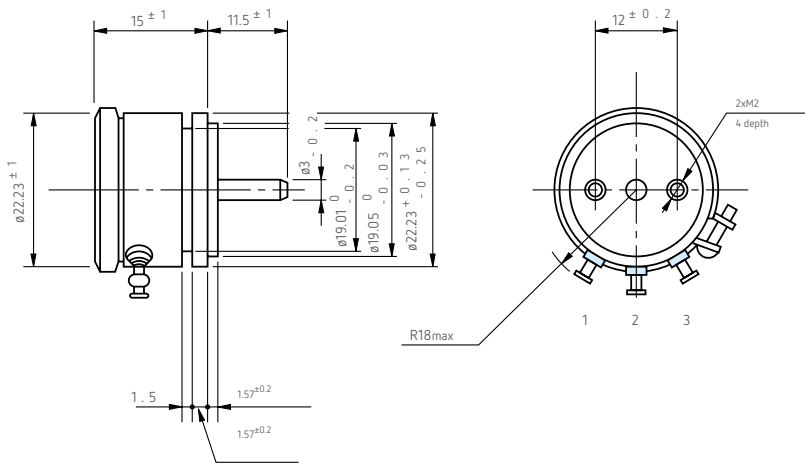




α CP22

Standard dimensions



Model CP22

General Specifications

Standard Resistance

Range:	50Ω to 10kΩ
Max. Practical Resistance Value:	20kΩ
Total Resistance Tolerance:	Standard Class ±3%(H) Precision Class ±1%(F)
Independent Linearity Tolerance:	Standard Class ±0.5% Precision Class ±0.2% (±0.3% in case of within 1kΩ)
Power Rating:	0.5W

Noise:

Electrical Travel:	355° ±5°
Mechanical Travel:	360° (Endless)
Insulation Resistance:	Over 1,000MΩ at 1,000 V.D.C
Dielectric Strength:	1 minute at 1,000 V.A.C.
Starting Torque:	Within 1.5mN·m (15gf·cm)
Resist. Temperature Coefficient of Wire:	±20p.p.m./°C
Mass:	Approx. 15g

Standard Resistance Values | No. Of Wire Turns | Resistance Wire Used

Resist. Value (Ω)	50	100	200	500	1k	2k	5k	10k	✳ 20k
No. Of wire turns	3 0 0	3 7 0	4 7 0	4 5 0	5 7 0	7 4 0	1, 0 0 0	1, 2 7 0	1, 6 7 0
Resist. Wire used	Cu-Ni System					Ni-Cr System			

Note: Mark ✳ shows value at special higher practical resistance

Special Specifications Available

Lower resistance values (10Ω, 20Ω), extra taps (available up to 2 taps), multi-ganged (available up to 5 gangs. Housing length is extended by 8.5mm per gang), shaft with front and rear extension (rear shaft with 3mm dia. and 10mm length), with stopper (rotating angle becomes 330° and stopper strength is 0.3N·m [3kgf·cm]), special electrical travel, shaft dia. (ø3.175mm) with inch dimensions, special machining on the shaft.