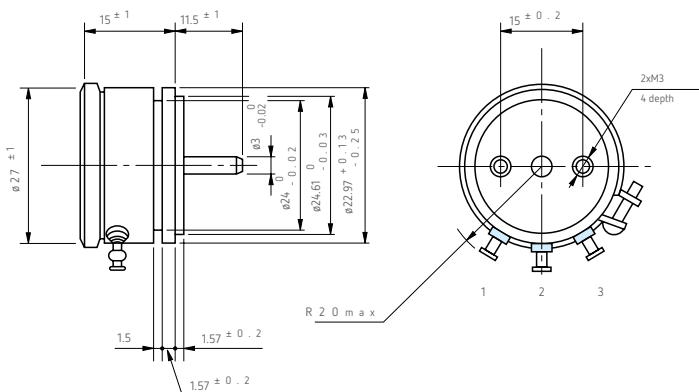




**α CP30**

**Standard dimensions**



Model CP30

**General Specifications**

**Standard Resistance**

**Range:** 50Ω to 20kΩ  
**Max. Practical Resistance Value:** 50kΩ  
**Total Resistance Tolerance:** Standard Class ±3%(H)  
 Precision Class ±1%(F)

**Independent Linearity**

**Tolerance:** Standard Class ±0.5%  
 Precision Class ±0.15%  
 (±0.2% in case of within 5kΩ)

**Power Rating:**

0.75W

**Noise:**

Within 100Ω E.N.R.

**Electrical Travel:**

355° ±5°

**Mechanical Travel:**

360° (Endless)

**Insulation Resistance:**

Over 1,000MΩ at 1,000 V.D.C

**Dielectric Strength:**

1 minute at 1,000 V.A.C.

**Starting Torque:**

Within 2mN·m (20gf·cm)

**Resist. Temperature Coefficient of Wire:**

±20p.p.m./°C

**Mass:**

Approx. 30g

**Standard Resistance Values | No. Of Wire Turns | Resistance Wire Used**

Resist. Value (Ω)	50	100	200	500	1k	2k	5k	10k	20k	✳ 50k
No. Of wire turns	3 1 0	3 9 0	5 0 0	4 2 0	6 0 0	7 7 0	1, 0 9 0	1, 4 0 0	1, 8 0 0	2, 6 7 0
Resist. Wire used	Cu-Ni System					Ni-Cr System				

Note: Mark ✳ shows value at special higher practical resistance

**Special Specifications Available**

Lower resistance values (10Ω, 20Ω), extra taps (available up to 3 taps), multi-ganged (available up to 5 gangs. Housing length is extended by 8.5mm per gang), shaft with front and rear extension (rear shaft with 3mm dia. and 10mm length), with stopper (rotating angle becomes 330° and stopper strength is 0.3N·m [3kgf·cm]), special electrical travel, shaft dia. (ø3.175mm) with inch dimensions, special machining on the shaft.