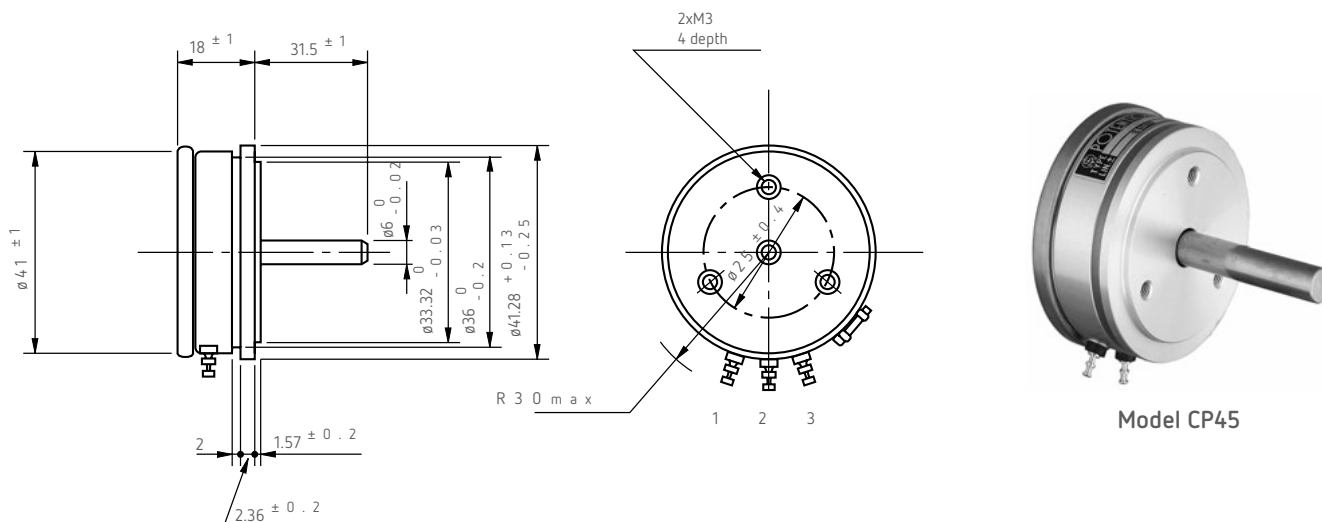




α CP45

Standard dimensions



General Specifications

Standard Resistance Range:	50Ω to 20kΩ	Noise:	Within 100Ω E.N.R.
Max. Practical Resistance Value:	50kΩ	Electrical Travel:	355° ±3°
Total Resistance Tolerance:	Standard Class ±3%(H) Precision Class ±1%(F)	Mechanical Travel:	360° (Endless)
Independent Linearity Tolerance:	Standard Class ±0.5% Precision Class ±0.1%	Insulation Resistance:	Over 1,000MΩ at 1,000 V.D.C.
Power Rating:	1.0W	Dielectric Strength:	1 minute at 1,000 V.A.C.
		Starting Torque:	Within 4mN·m (40gf·cm)
		Resist. Temperature Coefficient of Wire:	±20p.p.m./°C
		Mass:	Approx. 90g

Standard Resistance Values | No. Of Wire Turns | Resistance Wire Used

Resist. Value (Ω)	50	100	200	500	1k	2k	5k	10k	20k	※ 50k
No. Of wire turns	4 5 0	5 7 0	7 2 0	9 5 0	8 2 0	1, 0 4 0	1, 4 3 0	1. 7 9 0	2, 2 8 0	3, 1 0 0
Resist. Wire used	Cu-Ni System					Ni-Cr System				

Note: Mark ※ shows value at special higher practical resistance

Special Specifications Available

Lower resistance values (10Ω, 20Ω), extra taps (available up to 5 taps), multi-ganged (available up to 7 gangs. Housing length is extended by 12mm per 1 gang), shaft with front and rear extension (rear shaft with 6mm dia. and 15mm length), bushingmount type, with stopper (rotating angle becomes 330° and stopper strength is 0.9N·m [9kgf·cm]), special electrical travel, shaft dia. (ø6.35mm) with inch dimensions, special machining on the shaft.