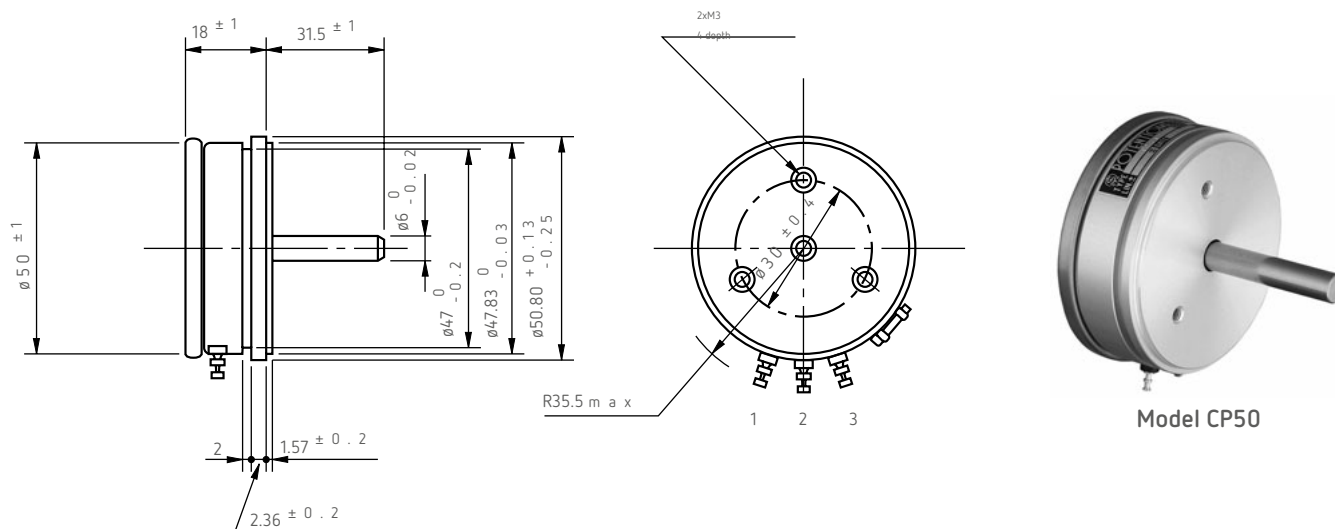




α CP50

Standard dimensions



General Specifications

Standard Resistance

Range:
Max. Practical Resistance Value: 50Ω to 20kΩ
Total Resistance Tolerance: 50kΩ

Independent Linearity Tolerance: Standard Class ±3%(H)
Precision Class ±1%(F)

Power Rating: Standard Class ±0.5%
Precision Class ±0.1%
(±0.2% in case of within 2kΩ)
1.5W

Noise: Within 100Ω E.N.R.
Electrical Travel: 355° ±3°
Mechanical Travel: 360° (Endless)
Insulation Resistance: Over 1,000MΩ at 1,000 V.D.C
Dielectric Strength: 1 minute at 1,000 V.A.C.
Starting Torque: Within 5mN·m (50gf·cm)
Resist. Temperature Coefficient of Wire: ±20p.p.m./°C
Mass: Approx. 120g

Standard Resistance Values | No. Of Wire Turns | Resistance Wire Used

Resist. Value (Ω)	50	100	200	500	1k	2k	5k	10k	20k	✳50k
No. Of wire turns	5 0 0	6 5 0	8 0 0	1, 1 0 0	1, 0 0 0	1, 2 5 0	1, 8 1 0	2, 1 8 0	2, 7 8 0	3, 5 0 0
Resist. Wire used	Cu-Ni System					Ni-Cr System				

Note: Mark ✳ shows value at special higher practical resistance

Special Specifications Available

Lower resistance values (10Ω, 20Ω), extra taps (available up to 10 taps), multi-ganged (available up to 7 gangs. Housing length is extended by 12mm per gang), shaft with front and rear extension (rear shaft with 6mm dia. and 15mm length), spring return device incorporated (automatically returning to the zero position), with stopper (rotating angle becomes 330° and stopper strength is 0.9N·m [9kgf·cm]), special electrical travel, shaft dia. (ø6.35mm) with inch dimensions, special machining on the shaft.