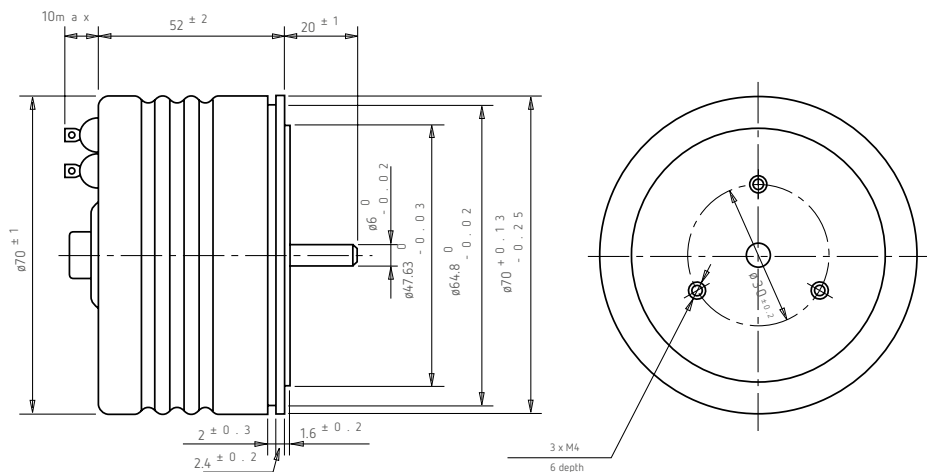




α OFCP50

Standard dimensions



Model OFCP50

General Specifications

Standard Resistance

Range: 1kΩ to 50kΩ
Total Resistance Tolerance: Standard Class ±3% (H)
Precision Class ±1% (F)

Independent Linearity

Tolerance: Standard Class ±0.5%
Precision Class ±0.1%

Power Rating: 1.5W

Noise: Within 100Ω E.N.R.

Electrical Travel: 355° ±3°

Mechanical Travel: 360° (Endless)

Insulation Resistance: Over 100MΩ at 1,000 V.D.C.

Dielectric Strength: 1 minute at 1,000 V.A.C.

Starting Torque: Within 30mN·m (300gf·cm)

Resist. Temperature Coefficient of Wire: ±20p.p.m./°C

Mass: Approx. 500g

Standard Resistance Values | No. Of Wire Turns | Resistance Wire Used

Resist. Value (Ω)	1k	2k	5k	10k	20k	50k
No. of wire turns	1, 0 0 0	1, 2 5 0	1. 8 1 0	2, 1 8 0	2, 7 8 0	3, 5 0 0
Resist. wire used	Ni-Cr System					

Standard Specifications Available

Lower resistance values (50Ω to 500Ω), extra taps (available up to 3 taps), stopper (rotating angle becomes 330° and the stopper strength is 0.9N·M [9kgf·cm]), special electrical travel, shaft dia. (ø 6.35mm) with inch dimensions, special machining on the shaft, rear shaft (6mm dia. and 20mm length).