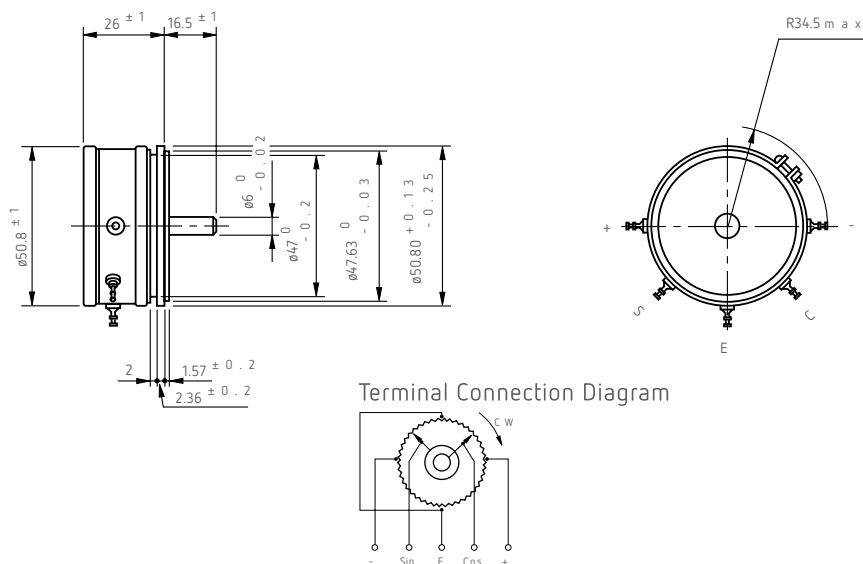




**α FSCB50A**

**Standard dimensions**



Model FSCB50A

**General Specifications**

Standard Resistance Values:	1k, 2k, 5k, 10k (Ω)	Output Smoothness:	Within 0.1% against input voltage
Special Higher Practical Resistance Values:	20k, 50k, 100K (Ω)	Contact Resistance Variation:	Within 8% C.R.V.
Total Resistance Tolerance:	Standard Class ±15% (L) Precision Class ±10% (K)	Power Rating:	1.25W
Conformity Tolerance: (Peak-Peak)	Standard Class ±0.5% Precision Class ±0.3% Super Precision Class ±0.2%	Electrical Travel:	360° (Endless)
Resolution:	Essentially infinite	Mechanical Travel:	360° (Endless)
		Insulation Resistance:	Over 1,000MΩ at 500 V.D.C.
		Dielectric Strength:	1 minute at 1,000V.A.C.
		Starting Torque:	Within 5mN·m (50gf·cm)
		Max. Working Voltage:	250V
		Resist. Temperature Coefficient:	±400p.p.m./°C
		Mass:	Approx. 120g

**Special Specifications Available**

Multi-ganged (available up to 3 gangs. Housing length is extended by 16mm per 1 gang), shaft with front and rear extension (rear shaft with 6mm dia. and 15mm length), bushingmount type, shaft dia. (ø6.35mm) with inch dimensions, special machining on the shaft, oil-filled type.