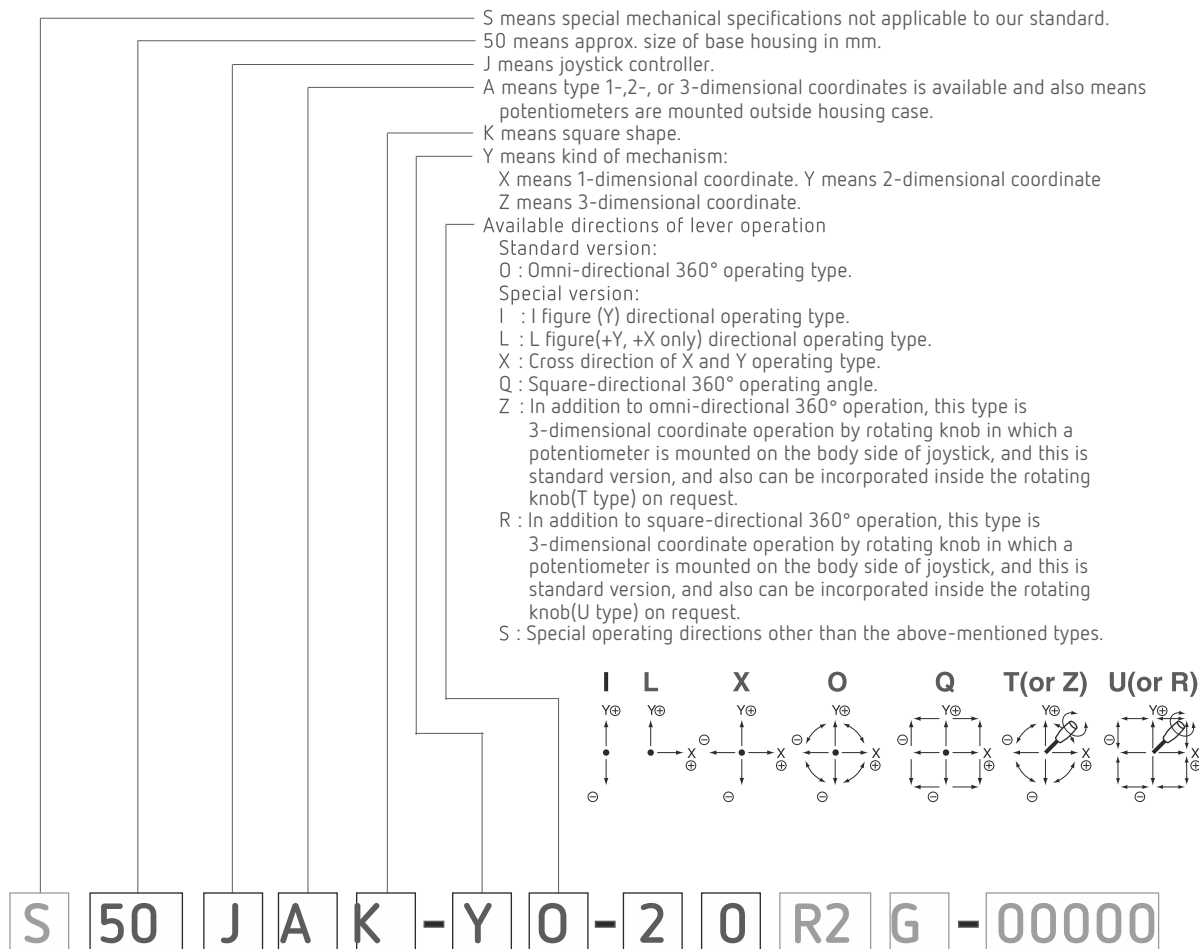




Model 50JA



Number of potentiometers to be incorporated.

- 0... no potentiometer incorporated.
- 1... 1 potentiometer incorporated.
- 2... 2 potentiometers incorporated.
- 3... 3 potentiometers incorporated.

Number of switches to be incorporated.

- 0... no switch incorporated.
- 1... 1 switch incorporated.
- 2... 2 switches incorporated.
- 3... 3 switches incorporated.
- 4... 4 switches incorporated.
- 5... 5 switches incorporated.
- 6... 6 and over 6 switches incorporated.
- 9... other switches to your special request.

With spring return device :

- R1 : with spring return device for 1-dimensional coordinate.
- R2 : with spring return device for 2-dimensional coordinate.
- R3 : with spring return device for 3-dimensional coordinate.

Mounting accessories :

- G : with dust proof rubber cover.
- P : with sub-panel for mounting.

Special part number :

In case we produce customized products, we add 4-digit or 5-digit branch number.

Standard Specifications

Mechanical Performance

Controlling range of operating lever :

- 2-dimensional coordinate type : Omni-directionally approx. $\pm 30^\circ \sim \pm 35^\circ$, operation from center position.
- 3-dimensional coordinate type : Approx. 320° rotation by knob-operation in addition to the controlling range of 2-dimensional coordinate operation.
(in case of center-returning type with spring return device, the operating range is approx. $\pm 45^\circ \sim \pm 50^\circ$ from center position.)

Operating force : Without spring return device.

Standard : Approx. 0.5~ 0.8N (50~ 80gf.)

High torque type : Approx. 2~ 6N (200~ 600gf.)

With spring return device : (subject to directivity)

X, Y directions : Approx. 0.8~ 1.5N (80~ 150gf)

Z direction : Approx. 20~ 85mNm (200~ 850gcm.)

Operating temperature range : $-20^\circ\text{C} \sim +65^\circ\text{C}$

Vibration : 10~ 55Hz 98m/s²

Shock : 294m/s²

Life expectancy : Approx. 5,000,000 operations.

Mass : 2-dimensional coordinate type : Approx. 280g

3-dimensional coordinate type : Approx. 230g

Electrical Performance

Potentiometers mounted : SFCP22E 10k $\Omega \pm 15\%$, 0.2W, independent linearity tolerance $\pm 3\%$ (conductive plastic resistive element).

For X and Y axes : Electrical rotating angle : Approx. 60°

For Z axis : Electrical rotating angle : Approx. 320°

With spring return device for Z axis : Electrical rotating angle approx. 90°

[All terminals can be fitted with the AMP110 series fasten receptacle (2.8 x 0.5mm) or equivalents.]

In case of 3-dimensional coordinate Z-axis potentiometer inside-knob incorporated type (T-type), the following potentiometer is used : SFCP12AC 10k $\Omega \pm 15\%$, independent linearity tolerance $\pm 3\%$, 0.06W (Electrical rotating angle : Approx. 90°)

Output smoothness : Below 0.2% against input voltage.

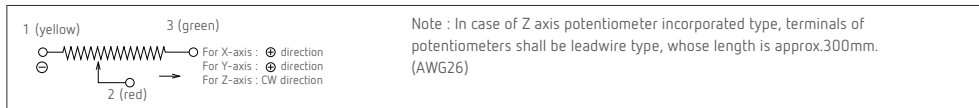
Contact resistance variation : Below 5% C.R.V.

Resolution : Essentially infinite

Dielectric strength : 1 minute at 500V.A.C.

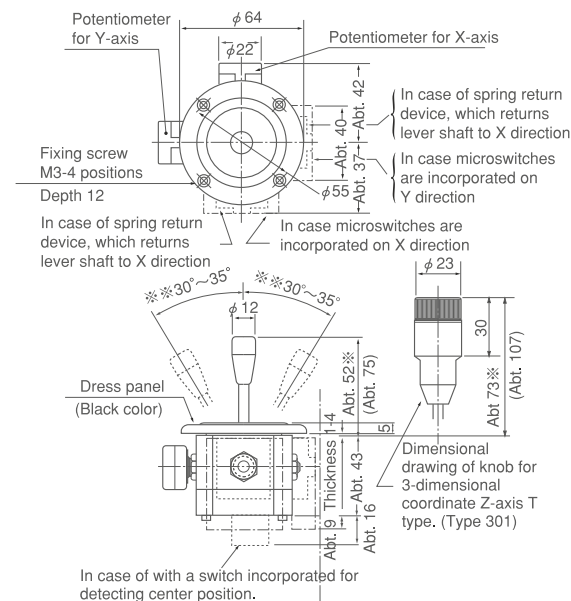
Insulation resistance : Over 1,000M Ω at 500V.D.C.

Terminal Connection Diagram

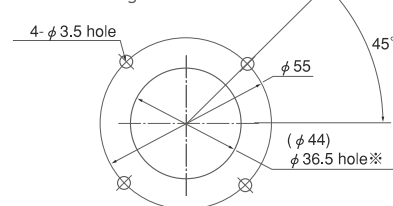


Special Specifications Available

Standard Dimensions



Panel Arrangements



Note : In case of JC with dust proof rubber cover, the dimensions of "※" part changes to $\phi 44$ mm. hole.

Note: 1) In case of JC with dust-proof rubber cover, the dimensions of dress panel and "part" dimension shall be changed numbers in parentheses.

2) In case of type Q, R and U, the angle of mark "※" becomes 360° square-directional and $20^\circ \sim 25^\circ$ from center position.

3) 4 pcs. of mounting screw (M3 x 14) are attached.

(Unit : mm)

Page 2 / 2

The information provided herein is to the best of our knowledge true and accurate, it is provided for guidance only. All specifications are subject to change without prior notification.

Althen – Your expert partner in Sensors & Controls | althensensors.com

Althen stands for pioneering measurement and custom sensor solutions. In addition we offer services such as calibration, design & engineering, training and renting of measurement equipment.

Germany/Austria/Switzerland
info@althen.de

Benelux
sales@althen.nl

France
info@althensensors.fr

Sweden
info@althensensors.se

USA/Canada
info@althensensors.com

Other countries
info@althensensors.com