



MR Series
Finger joystick



Features

- Delivery within 2 weeks
- Suitable for high magnetic field environments
- Excellent resistance to EMI due to precision potentiometer sensor technology
- 5 handle options and 2 mounting options
- 5kOhm potentiometers incorporated on each axis
- Available in 2 or 3 axis configurations
- Pigtail wire termination, pre-soldered to pots

Applications

- Measurement systems
- Robotic systems
- CCTV
- Machine control
- Conveyor systems
- Wheelchair control
- High magnetic field environments

Description

This compact and low profile finger-operated potentiometer joystick is available in two or three-axis precision control. The pre-programmed proportional output per axis provides excellent resistance to EMI, in a small yet robust package. Combined with the low operating force needed to move the controller and variety of handle and mounting options, this allows for easy integration in a wide array of systems. It is perfect for applications like measurement systems, robotic systems, CCTV, machine control, conveyor systems, PTZ camera control, wheelchair control or in environments where high magnetic fields are present.

Specification

MECHANICAL (X & Y AXIS)	
Angle Of Movement	50° (25° Each Direction)
Expected Cycle Life	See potentiometer options
Centering	Spring Return
Max. Vertical load	333 N (75 lbF)
Max. Horizontal load	107 N (24 lbF*)
Material	Glass / Mineral Filled Nylon

* Measured 44.45 (1.75") Above Panel Surface

MECHANICAL (Z AXIS)	
Angle	90° (45° Each Direction)
Centering	Spring Return
Max. Applied Torque	1,58 Nm (14 lbFin)

07/2019 | version 0001

Specification

POTENTIOMETER (ALL AXES)

Manufacturer	T	P
Resistance element	conductive plastic	conductive plastic
Resistance	5KΩ	5KΩ
Linearity	±2%	±5%
Operating angle	electrical: 100°	electrical: 220°
Noise (CRV)	3.5% max.	0.5% max.
Power rating	0.25w @ 54°C (130°F)	0.25w @ 40°C (104 °F)
Voltage rating	350VDC MAX.	500VDC MAX.
Rotational life	3,000,000 cycles	500,000 cycles

ENVIRONMENTAL

Operating Temperature	-18°C to 60°C (0°F to 140°F)
Storage Temperature	-40°C to 71°C (-40°F to 160°F)
IP Sealing Above Flange	Up to IP54 *

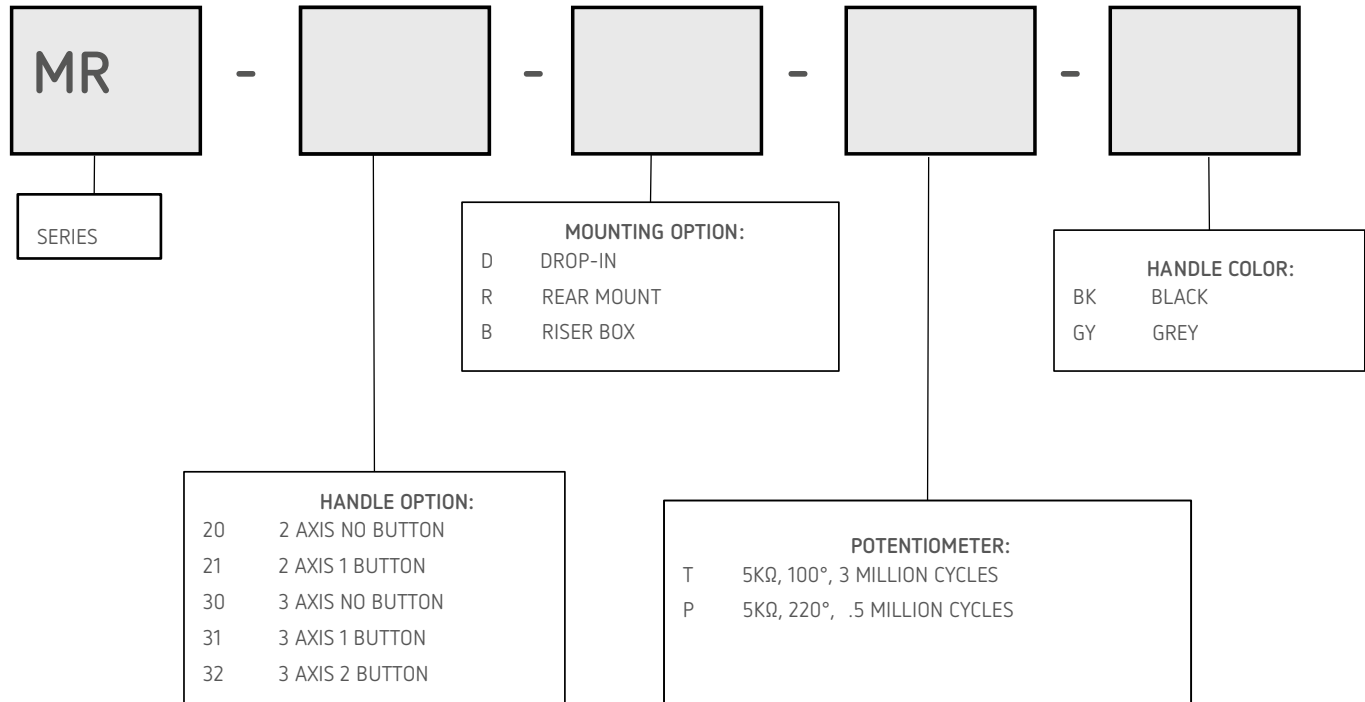
28AWG PIGTAIL WIRING

WIRE COLOR	"P" Option Pot	"T" Option Pot
Red	X pot supply	X pot return
Blue	X pot signal	X pot signal
Black	X pot return	X pot supply
Pink	Y pot supply	Y pot return
Yellow	Y pot signal	Y pot signal
Grey	Y pot return	Y pot supply
Brown	Z pot supply	Z pot return
Green	Z pot signal	Z pot signal
Transparent	Z pot return	Z pot supply
Orange	Button 1	Button 1
Violet	Button 2	Button 2
White	Button Com	Button Com

****HANDLE IP RATING**

HANDLE OPTION	IP RATING
20	IP54
21	IP50
30	IP54
31	IP50
32	IP50

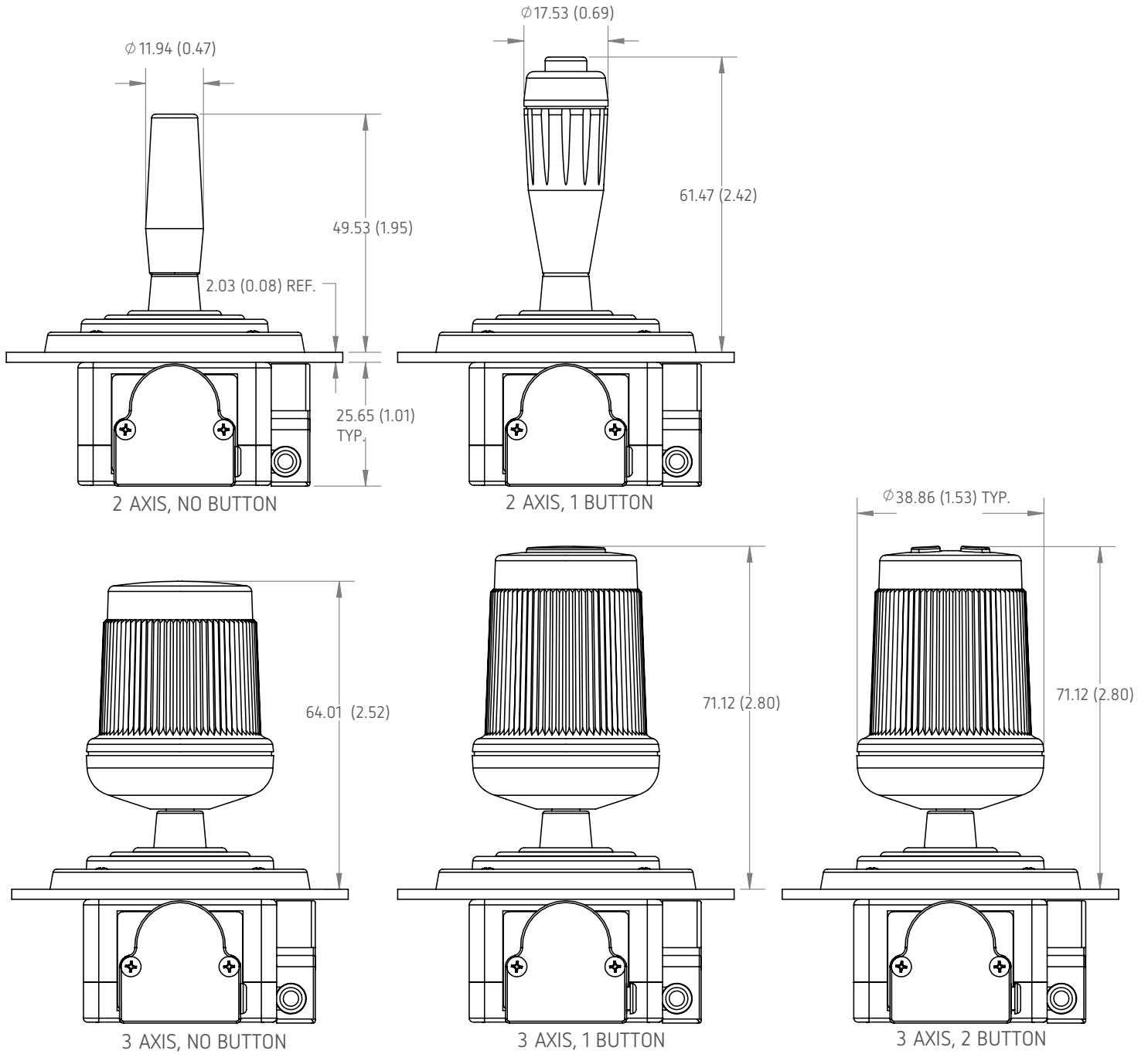
■ Product Configuration Guide



Handle Options

- mounting height for rear mount & drop-in options
- Riser box option add 29.21mm (1.150") to panel surface

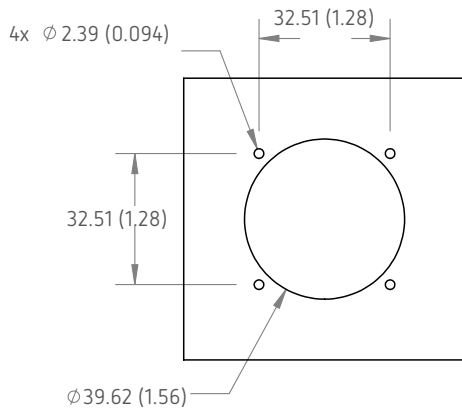
Dimensions in millimeters (inches).



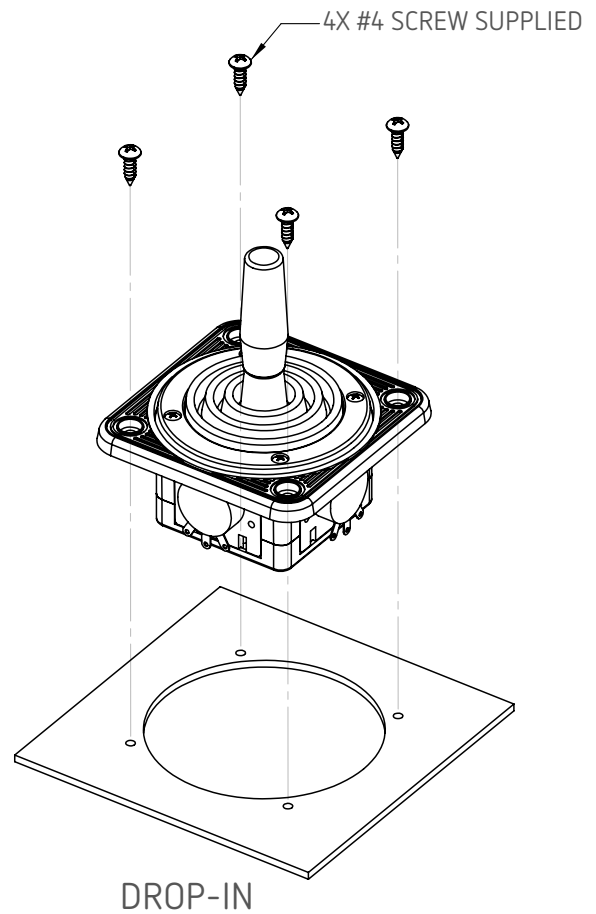
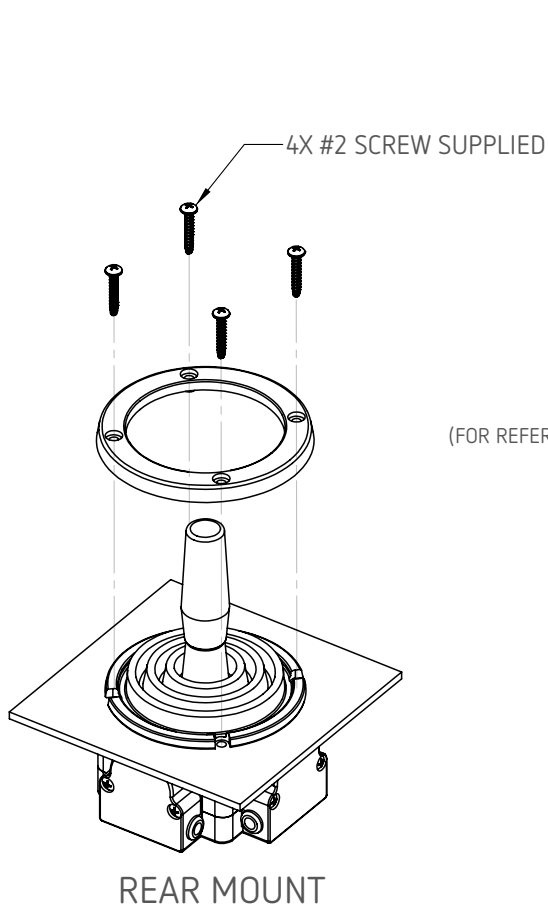
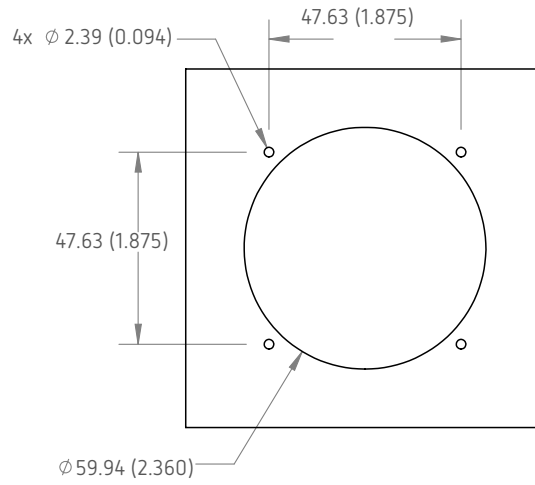
Mounting Options

Dimensions in millimeters (inches).

REAR MOUNT PANEL DIMENSIONS



DROP-IN PANEL DIMENSIONS



Mounting Options
Dimensions in millimeters (inches).

RISER BOX PANEL DIMENSIONS

