



mm SLPIS

Features

- Measuring range 10-100 mm
- Long mechanical life
- Excellent repeatability <0.01 mm
- Infinite resolution



SLPIS
Cable type

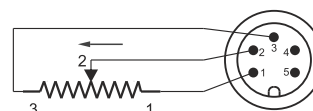
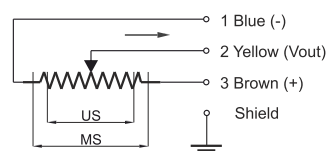
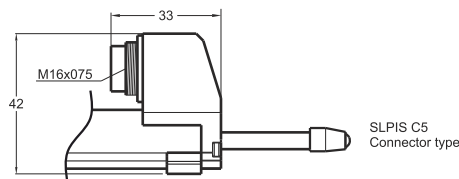
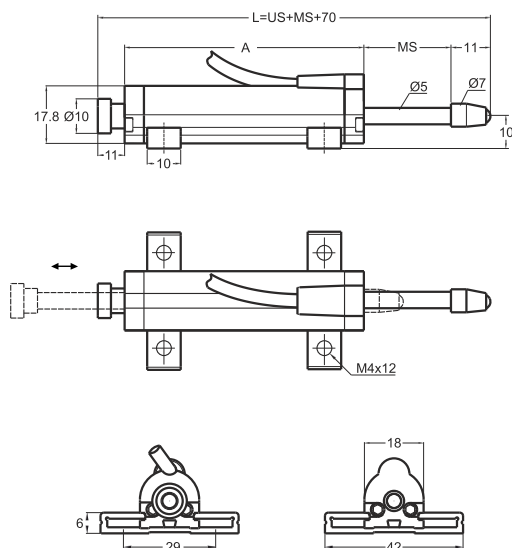


SLPIS
Connector type

Technical Specifications

Measurement stroke	10 to 100 mm
Linearity	±%0,5 (<75mm)
Repeatability	< 0,01 mm
Resolution	Infinite
Resistance	2 kOhm (10-25mm), 5 kOhm (50mm)
Resistance tolerance	±%20
Recommended cursor current	<1 µA
Electrical connections	Cable 1m or Connector output
Displacement speed	< 5 m/s

Mechanical life	100 million cycles
Case dimensions	Ø18 mm
Case material	Anodized aluminium
Rod material	Stainless steel
Rod diameter	Ø5 mm
Mechanical fixing	Variable brackets
IP degree	IP 65
Operating temperature	-20°C ... +80°C
Storage temperature	-30°C ... +90°C



SLPIS (mm)	10	25	50	75	100
US (Usefull Stroke)	10	25	50	75	100
MS (Mechanical Stroke)	13	28	53	78	103
L (Total Length)	93	123	179	235	288

A	
SLPIS 10	58
SLPIS 25	73
SLPIS 50	104
SLPIS 75	135
SLPIS 100	163

Model	Measurement stroke (mm)	Linearity (%)	Resistance (KOhm)	Connector / Cable
(example) SLPIS	25	D	5K	1M
SLPIS	10 ... 50mm	D : ± %0,05 (standard)	2K : 2 KOhm (10-25mm) 5K : 5 KOhm 10K : 10 KOhm	1M : 1 meter cable (standard) 1M5 : 1,5 meter cable 2M : 2 meter cable C5 : Connector