

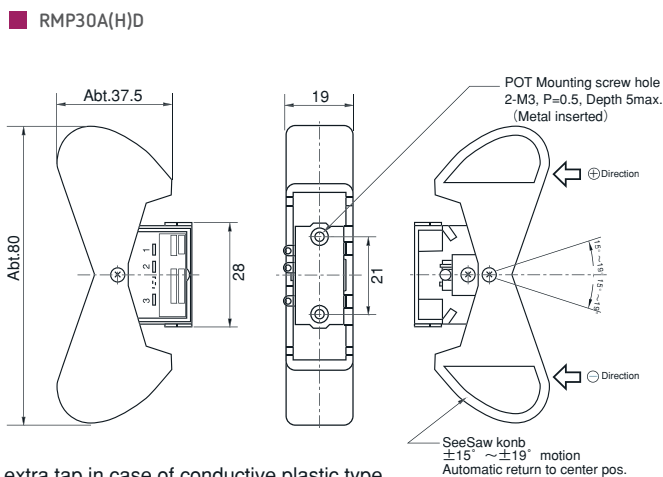
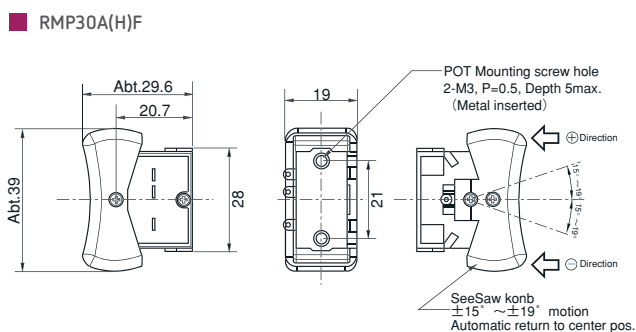
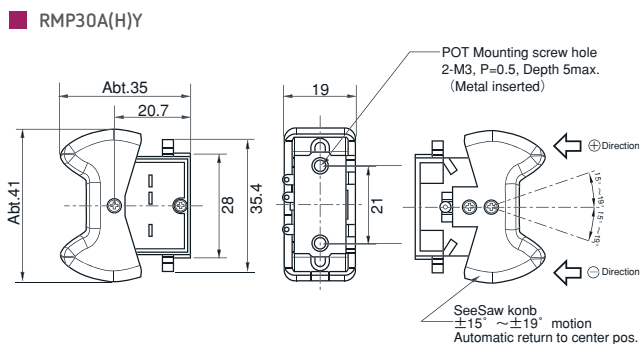


RMP30A/H

Advantages

- Conductive Plastic & Hall effect IC
- Low-cost Item
- RoHS Compliant

Standard Dimensions



Note:1. With extra tap in case of conductive plastic type.
2. 4 terminals to be mounted in case of hall effect IC type.

General Specifications

Environmental Specifications (Conductive plastic type)

Standard Resistance Value	10k (Ω)
Special Practical Resistance Values	1k, 2k, 5k, 20k (Ω)
Total Resistance Tolerance	±15%
Independent Linearity Tolerance	±3%
Output smoothness	Within 0.2% against input voltage
Contact Resistance Variation	Within 5% C.R.V.
Power Rating	0.1W
Electrical Travel	30° ±5°
Operating Angle Range	±15° ~ ±19° from center position
Center Returning Accuracy	50% ±3%

Insulation Resistance	Over 1,000MΩ at 500V.D.C.
Dielectric Strength	1 minute at 500V.A.C.
Operating Force	Approx. 24mN • m~30mN • m (D type knob:Approx. 49mN • m~ 60mN • m)
Mass	Approx. 20g
Resistance Temperature Coefficient	±400p.p.m/°C
Operating Temperature Range	-20°C~+60°C
Vibration	10~55Hz 98m/s ²
Shock	294m/s ²
Protection Grade (IP)	Standard IP 40, Special IP54
Life Expectancy	Approx. 2,000,000 operations

Environmental Specifications (Hall effect IC type)

Current Consumption	Approx. 7mA (Dual output type:Approx. 14mA)
Independent Linearity Tolerance	±3%FS
Applied Voltage	5V.D.C. ±10%
Load Resistance	10kΩ min.
Output Voltage range	Approx. 10%~90% Vin
Effective Electrical Angle	30°±5°
Operating Angle Range	±15°~±19° from center position
Center Returning Accuracy	50%±3%
Insulation Resistance	Over 100MΩ at 250V.D.C.
Dielectric Strength	1 minute at 250V.A.C.

Operating Force	Approx. 24mN • m~Approx. 30mN • m (D type knob:Approx. 48mN • m~60mN • m)
Output Temperature Characteris	Within ±2.5% Vout • FS
Drift at Center Position	Within ±0.9% Vout • FS
Mass	Approx. 20g
Operating Temperature Range	-20°C~+60°C
Vibration	10~55Hz 98m/s ²
Shock	294m/s ²
Protection Grade (IP)	IP65
Life Expectancy	Approx. 5,000,000 operations
EMC Durability	100V/m
ESD Durability	±8kV contact discharge/ ±15kV aerial discharge (Based on IEC 61000-4-2)

Special Specifications Available

(In case of the potentiometer with special specifications, the general specifications and environmental specifications may change. Please consult us in advance.)

Conductive plastic type

- Extra tap (Available up to 1 tap)
- Heavier operating force (not available for D type knob)
- Simple sealed housing
- Special outer shapes (knob's shapes, etc.)

Hall effect IC type

- Special output
- Heavier operating force (not available for D type knob)