



SAT Series
Mini joystick



Features

- Standard delivery time 2-3 weeks
- Proportional contactless hall effect technology
- Single axis thumb controller with elastomer actuator
- Optional paddle wheel handle
- Standard IP67 grade protection above panel

Applications

- Marine winch control
- (Outdoor) control panels
- Material handling equipment
- Scissor lifts
- Agricultural machinery

Description

This single-axis mini thumb controller is based on contactless hall effect technology and comes with a proportional output. It has a standard IP67 above panel seal and the integrated elastomer actuator gives the user an ergonomic feeling. Possible options include a paddle wheel for precision single axis control, combined with its long-life expectancy it is an ideal choice for many industrial control applications. Included in the package are below panel mounting hardware and a 28AWG cable.

Specification

MECHANICAL (X & Y AXIS)	
Angle Of Movement	60° (30° Each Direction)
Expected Cycle Life	2.5 million
Centering	Spring Return
Max. Vertical load	300 N (67.5 lbf)
Max. Horizontal load	178 N (40 lbf*)
* Measured 15.75 mm (0.62") Above Panel Surface, Y Direction	
ELECTRICAL	
Sensor type	hall effect
Resolution	12 bit
Supply voltage	5VDC ± 0.01VDC
Output voltage	see options
Return to center voltage	± 50mV
Overvoltage max.	20VDC
Reverse polarity max.	-10VDC

07/2019 | version 0001

■ Specification

ENVIRONMENTAL	
Operating Temperature	-40°C to 85°C (-40°F to 185°F)
Storage Temperature	-40°C to 85°C (-40°F to 185°F)
IP Sealing Above Flange	IP67
EMC Immunity level	EN61000-4-3 *Compliance to 30A/m
EMC Emissions level	EN61000-6-3
ESD Immunity level	EN61000-4-2 *Compliance to ±15kV/±8kV
Vibration testing	Per SAE J1455 Section 4.9 & MIL-STD810G 514.6
Mechanical shock	Per SAE J1455 Section 4.10 & MIL-STD-202G

*Extended Testing Levels

MOLEX 510210400 CONNECTOR		
PIN	Wire colour	Description
1	n/a	n/a
2	yellow	sensor
3	black	ground
4	red	power (+5V)

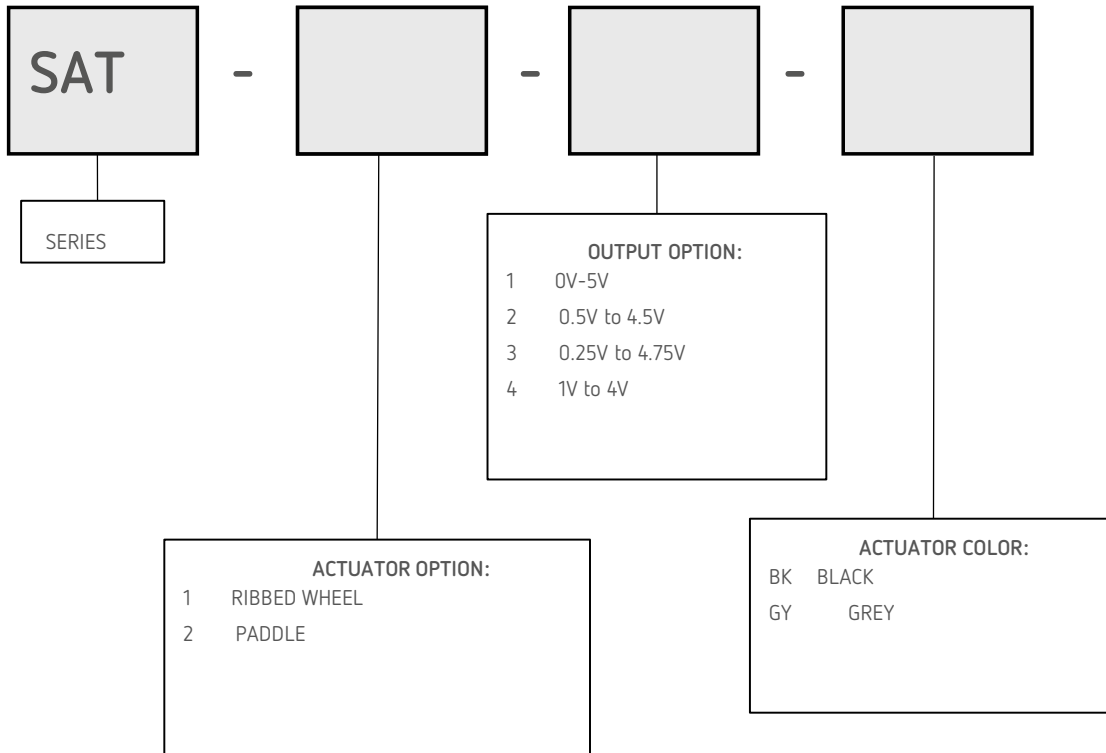
MATERIALS	
Housing	Mineral & glass filled nylon
Boot / actuator	Silicone

IP RATING: IP67 (ABOVE PANEL, ALL CONFIGURATIONS)



254mm (10") CABLE PROVIDED

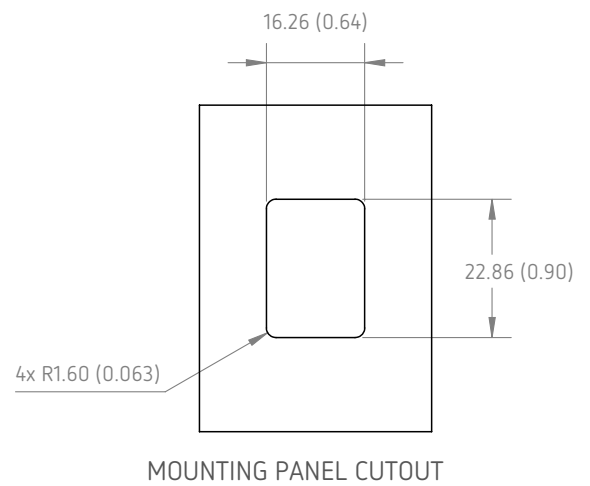
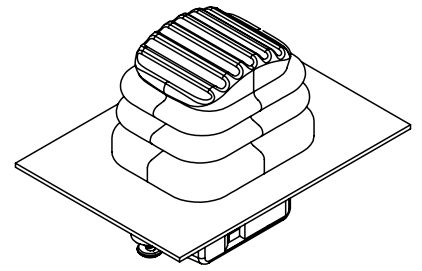
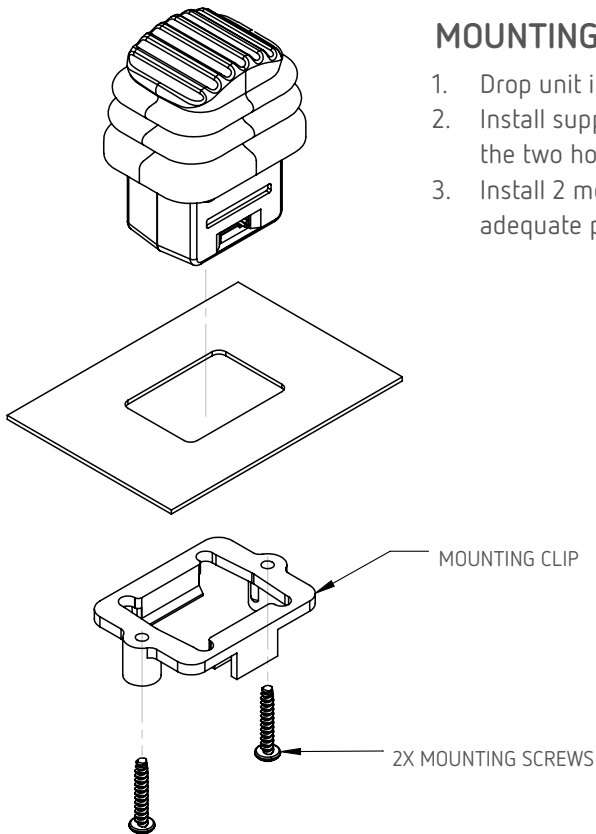
■ Product Configuration Guide



Mounting Options
Dimensions in millimeters (inches).

MOUNTING DIRECTIONS:

1. Drop unit into panel cutout.
2. Install supplied mounting under Panel until the two hook features snap into place.
3. Install 2 mounting screws until they apply adequate pressure onto panel.



Actuator Options

Dimensions in millimeters (inches).

