



HS1 Series Mini joystick



Features

- 4, 5, 8, or 9 switching position
- Optional push button switch
- Standard IP67 above panel

Applications

- Maritime deck machinery
- Crane arm rest control panels
- Industrial remote controllers
- Agricultural equipment

Description

The HS1 is a 4, 5, 8, or 9 position switch joystick with a push button switch option. This joystick comes with an elastomer actuator which offers excellent user comfort and standard IP67 seal above panel. Due to its compact size and below panel mounting nut, it is easy to install when below panel space is limited.

Specification

MECHANICAL	
Angle Of Movement	6° (3° Each Direction)
Life Cycle	100K minimum
Switch mechanism	Tactile
Max. Vertical load	267 N (60 lbf)
Max. Horizontal load	178 N (40 lbf*)
* Measured 11.43 mm (0.45") Above Panel Surface	
ELECTRICAL	
Minimum Contact Rating	10µA @ 1V DC
Maximum Contact Rating	50mA @ 24V DC
Initial Contact Resistance	100mΩ MAX
Insulation Resistance	100mΩ MIN @ 100V DC
Dielectric Strength	500V AC for 1 minute
Thermal Shock	Per EIA-364-32C

² Voltage per user specified range

■ Specification

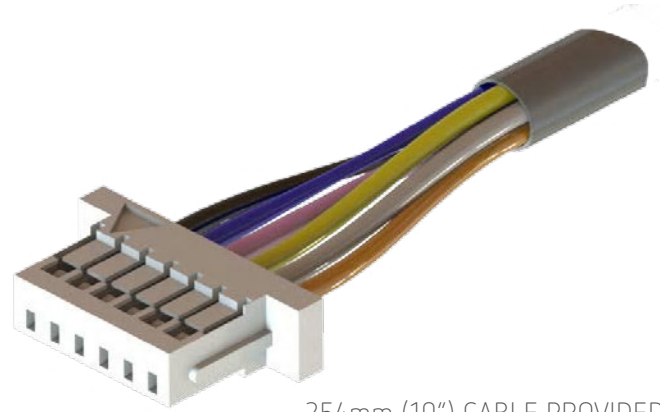
ENVIRONMENTAL

Operating Temperature	-34°C to 85°C (-30°F to 185°F)
Storage Temperature	-34°C to 85°C (-30°F to 185°F)
IP Sealing Above Flange	IP67

JST CONNECTOR: BM06B-SRSS-TB

PIN	Wire colour	Description
1	black	common
2	blue	X+ switch
3	pink	Y- switch
4	yellow	Y+ switch
5	grey	Y- switch
6	orange	*Top switch

* (Optional)



254mm (10") CABLE PROVIDED



"Castle" Style Actuator



"Round" Style Actuator

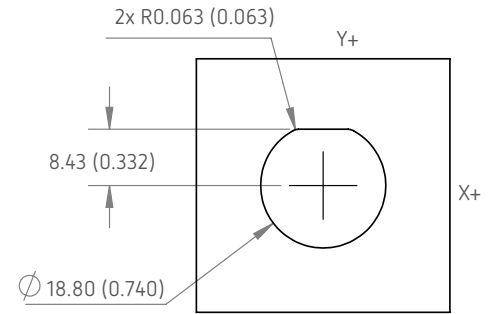
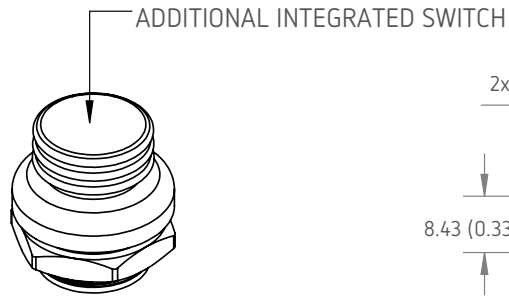
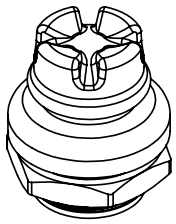
■ Product Configuration Guide



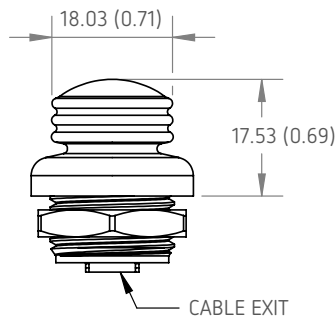
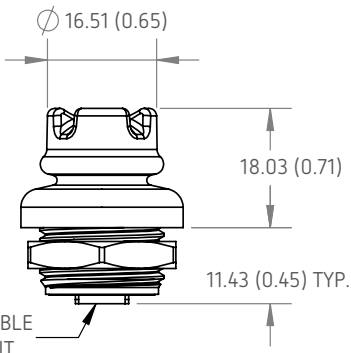
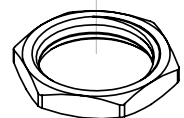
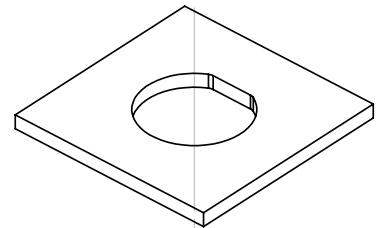
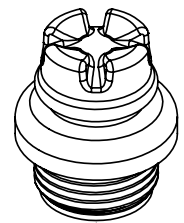
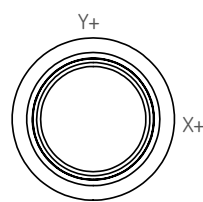
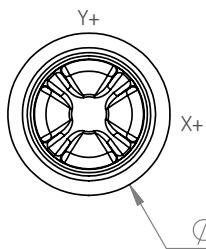
LIMITER & ACTUATOR OPTION:	
4	4-WAY, CASTLE CAP
5	5-WAY (4-WAY + TOP BUTTON, ROUND CAP)
6	5-WAY (4-WAY + TOP BUTTON, CASTLE CAP)
8	8-WAY, CASTLE CAP
9	9-WAY (8-WAY + TOP BUTTON, ROUND CAP)
10	9-WAY (8-WAY + TOP BUTTON, CASTLE CAP)

Mounting Options

Dimensions in millimeters (inches).



PANEL DIMENSIONS



OPTION 4 (4-WAY) OR
OPTION 8 (8-WAY) SWITCH

OPTION 5 (5-WAY) OR
OPTION 9 (9-WAY) SWITCH