



MH Series
Finger joystick



Features

- Delivery within 2 weeks
- 16 handle options and 3 mounting options
- With independent contactless hall effect sensor per axis
- Available in 2 or 3 axis configurations
- Pre-programmed proportional output
- Pigtail wire termination

Applications

- Measurement systems
- Robotic systems
- CCTV
- Machine control
- Conveyor systems
- Wheelchair control
- High magnetic field environments

Description

This finger-operated joystick comes with independent contactless Hall Effect sensors per axis and provides reliable, multi-axis fingertip control. It is available in two or three axis configurations and has many handle options to choose from, including a low profile and slim Z-axis handle. The repeatable accuracy and superior return to centre voltages set this controller apart from its competition. Further user-specified voltage range for a pre-programmed analog output and pigtail 28AWG wires make the controller suitable to integrate into any applicable system.

Specification

MECHANICAL (X & Y AXIS)	
Angle Of Movement	50° (25° Each Direction)
Expected Cycle Life	5 Million
Centering	Spring Return
Max. Vertical load	333 N (75 lbf)
Max. Horizontal load	107 N (24 lbf*)
Material	Glass/Mineral Filled Nylon
* Measured 44.45 (1.75") Above Panel Surface	
MECHANICAL (Z AXIS)	
Angle	90° (45° Each Direction)
Centering	Spring Return
Max. Applied Torque	1,58 Nm (14 lbfIn)

Specification

ELECTRICAL

Sensor Type	Hall Effect
Resolution	12 Bit
Supply Voltage	5VDC ± 0.01VDC
Output Voltage	See Options
Return To Center Voltage	± 50MV
Overvoltage Max.	24VDC
Reverse Polarity Max.	-12VDC

ENVIRONMENTAL

Operating Temperature	-18°C to 60°C (0°F to 140°F)
Storage Temperature	-40°C to 71°C (-40°F to 160°F)
IP Sealing Above Flange	Up to IP54 **
Emc Immunity Level	EN61000-4-3 *Compliance to 30A/m
Emc Emissions Level	EN61000-6-3
Esd Immunity Level	EN61000-4-2

* Extended Testing levels

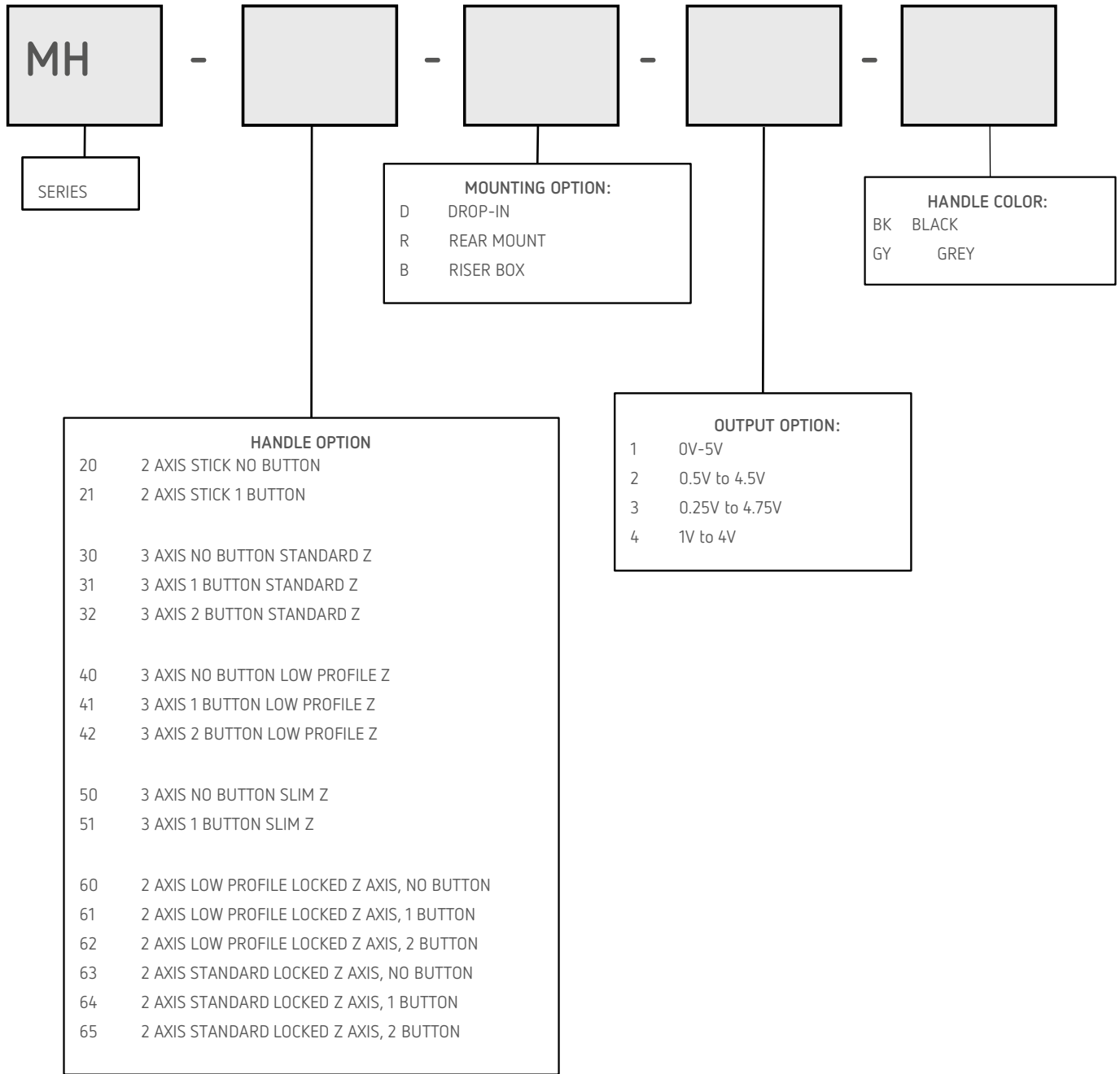
28AWG PIGTAIL WIRING

WIRE COLOR	DESCRIPTION
Red	+5V
Black	Ground
Blue	X Axis Sensor
Yellow	Y Axis Sensor
Green	Z Axis Sensor
Orange	Button 1
Violet	Button 2
White	Button Com

****HANDLE IP RATING**

HANDLE OPTION	IP RATING
20	IP54
21	IP50
30	IP54
31	IP50
32	IP50
40	IP54
41	IP50
42	IP50
50	IP54
51	IP50

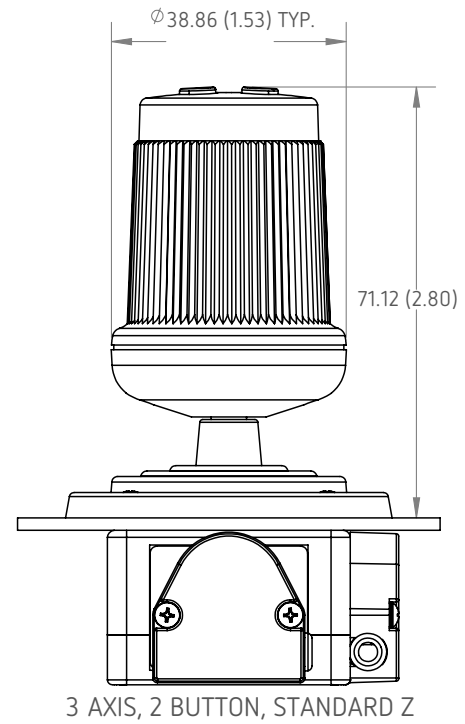
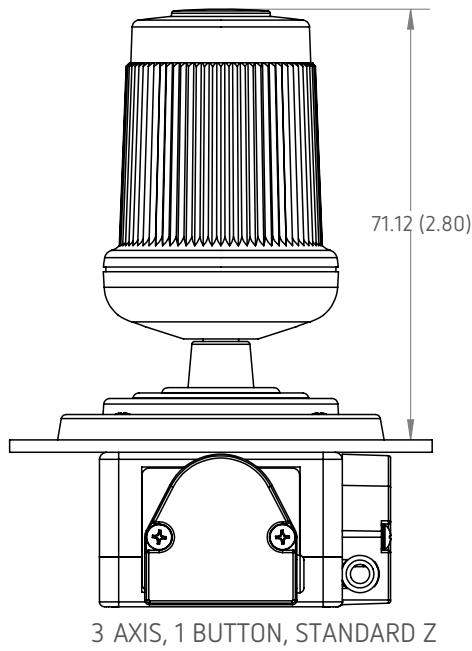
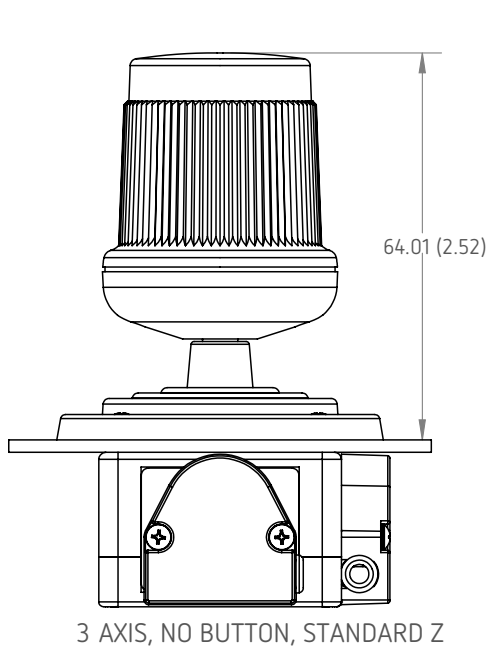
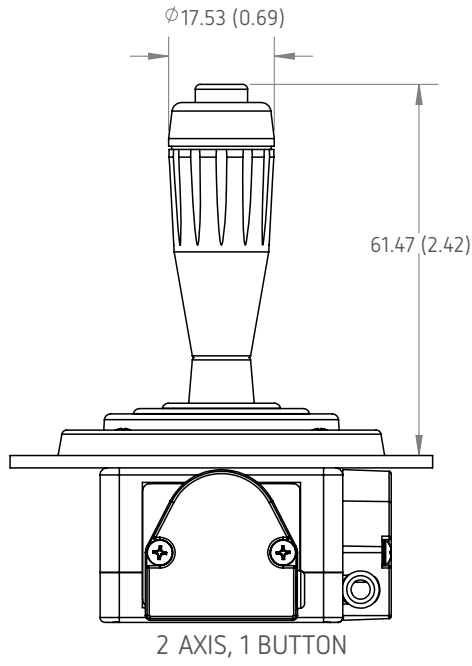
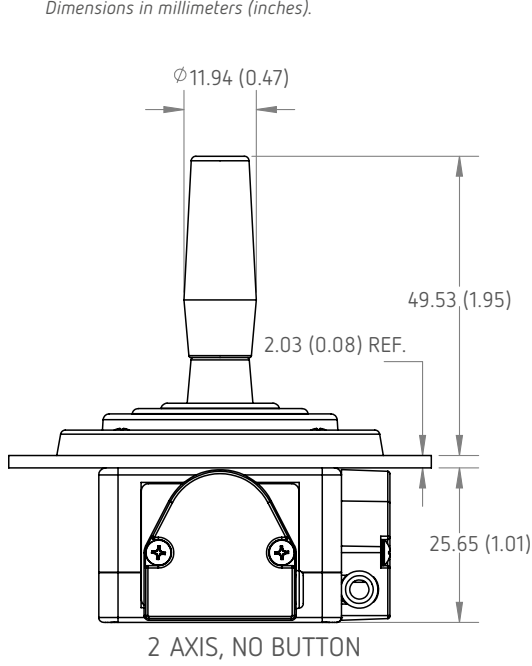
■ Product Configuration Guide



Handle Options

- Mounting height for rear mount & drop-in options
- Riser box option add 29.21mm (1.150") to panel surface

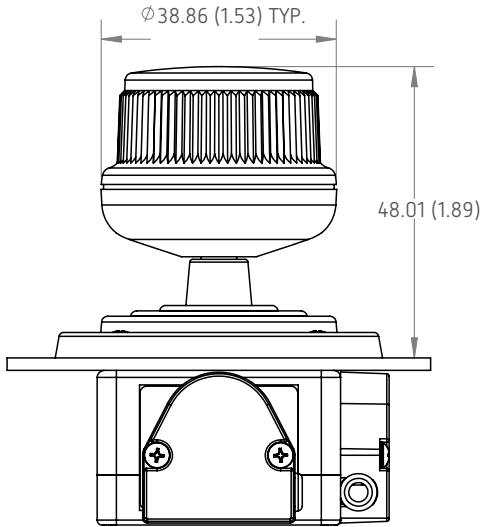
Dimensions in millimeters (inches).



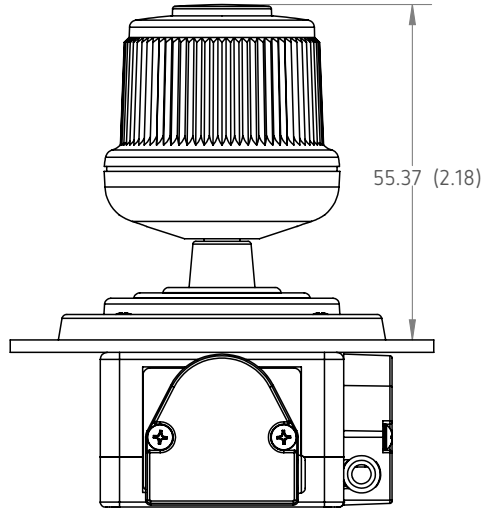
Handle Options

- Mounting height for rear mount & drop-in options
- Riser box option add 1.150" to panel surface

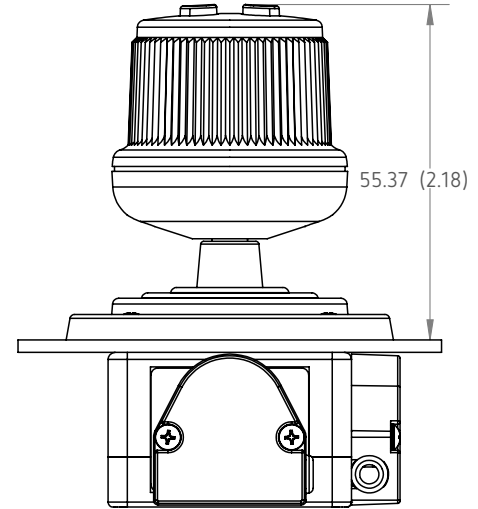
Dimensions in millimeters (inches).



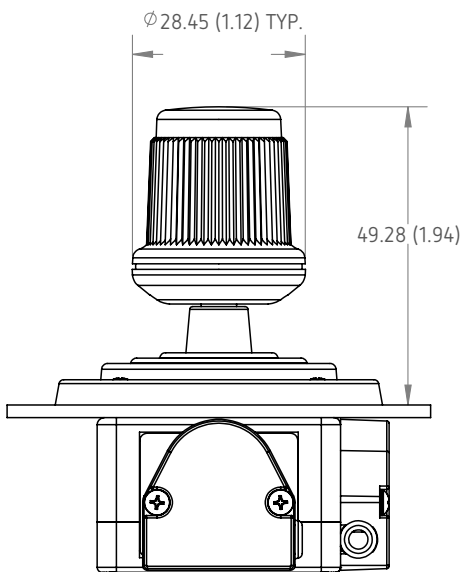
3 AXIS, NO BUTTON, LOW PROFILE Z



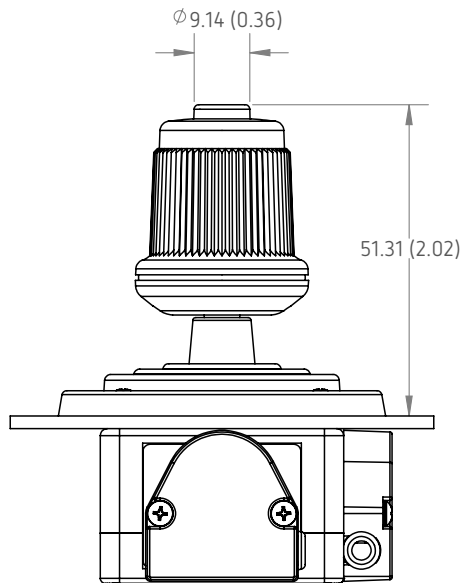
3 AXIS, 1 BUTTON, LOW PROFILE Z



3 AXIS, 2 BUTTON, LOW PROFILE Z



3 AXIS, NO BUTTON, SLIM Z

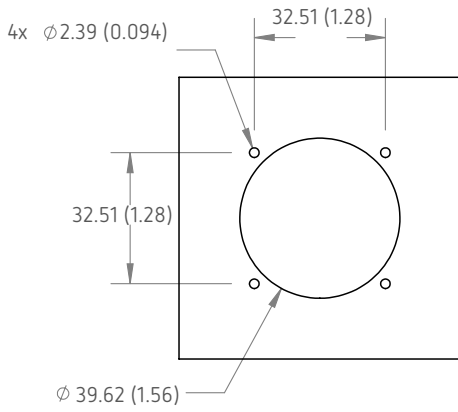


3 AXIS, 1 BUTTON, SLIM Z

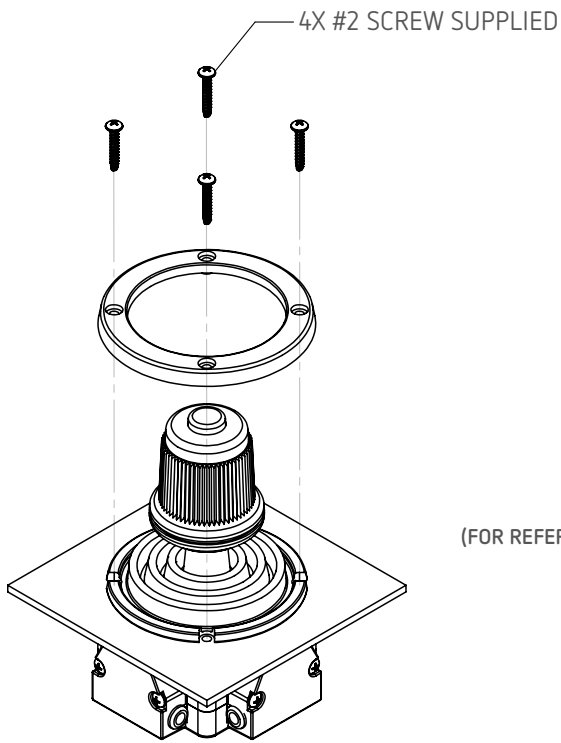
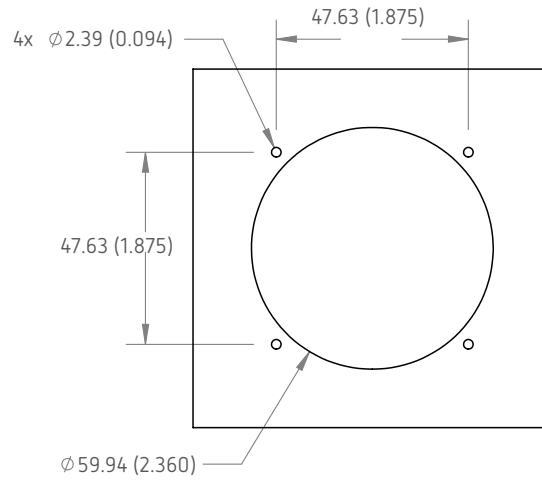
Mounting Options

Dimensions in millimeters (inches).

REAR MOUNT PANEL DIMENSIONS

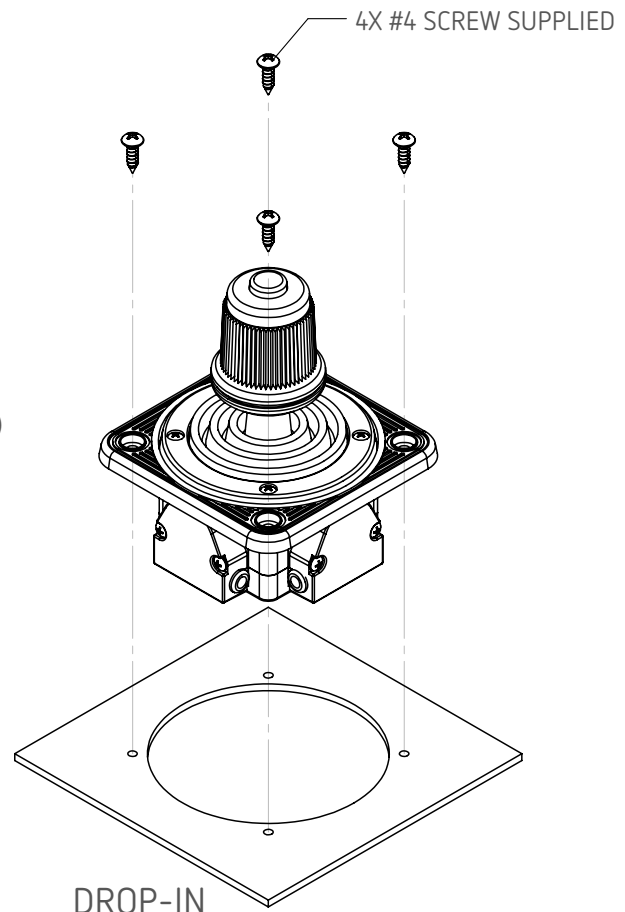


DROP-IN PANEL DIMENSIONS



REAR MOUNT

(FOR REFERENCE)



DROP-IN

Mounting Options
Dimensions in millimeters (inches).

RISER BOX PANEL DIMENSIONS

