



HED Series

USB desktop controller with integrated HE1 hall effect finger joystick



HED Series Finger joystick



Features

- Standard delivery time 2-3 weeks
- Three-axis fingertip joystick
- Contactless hall effect technology
- Variety of different handle configurations
- 4 or 10 button layouts

Applications

- Security systems

Description

This USB desktop controller comes with our integrated three-axis hall effect HE1 joystick. It's ergonomic design and 4 or 10 button housing configurations with one or two buttons on top of the handle make the HED series perfect for precision CCTV control. This setup allows the user to take precision control of all pan, tilt and zoom functions of all security systems that support USB 1.1 HID. Due to the plug and play technology and a variety of different handle options, this unit is easily integrated into your company's current system.

Specification

JOYSTICK MECHANICAL (X & Y AXES)

Angle Of Movement	50° (25° Each Direction)
Expected Cycle Life	5 million
Centering	spring return
Max. Vertical load	333 N (75 lbf)
Max. Horizontal load	133 N (30 lbf)*

* Measured 44.45mm (1.75") Above Panel Surface

JOYSTICK MECHANICAL (Z AXIS)

Angle	90° (45° Each Direction)
Centering	spring return
Max. APPLIED TORQUE	1.6 N (14 lbf-in)

ELECTRICAL

Resolution	10 bit
Supply voltage	5VDC via USB cable
System support	windows (all), osx, linux
Supported protocols	Usb hid 1.1 game controller, Standard directx hid drivers joystick: 3 hid axes / pushbuttons: up to 12 Hid buttons
Cable	usb male type a, 5ft (60") length

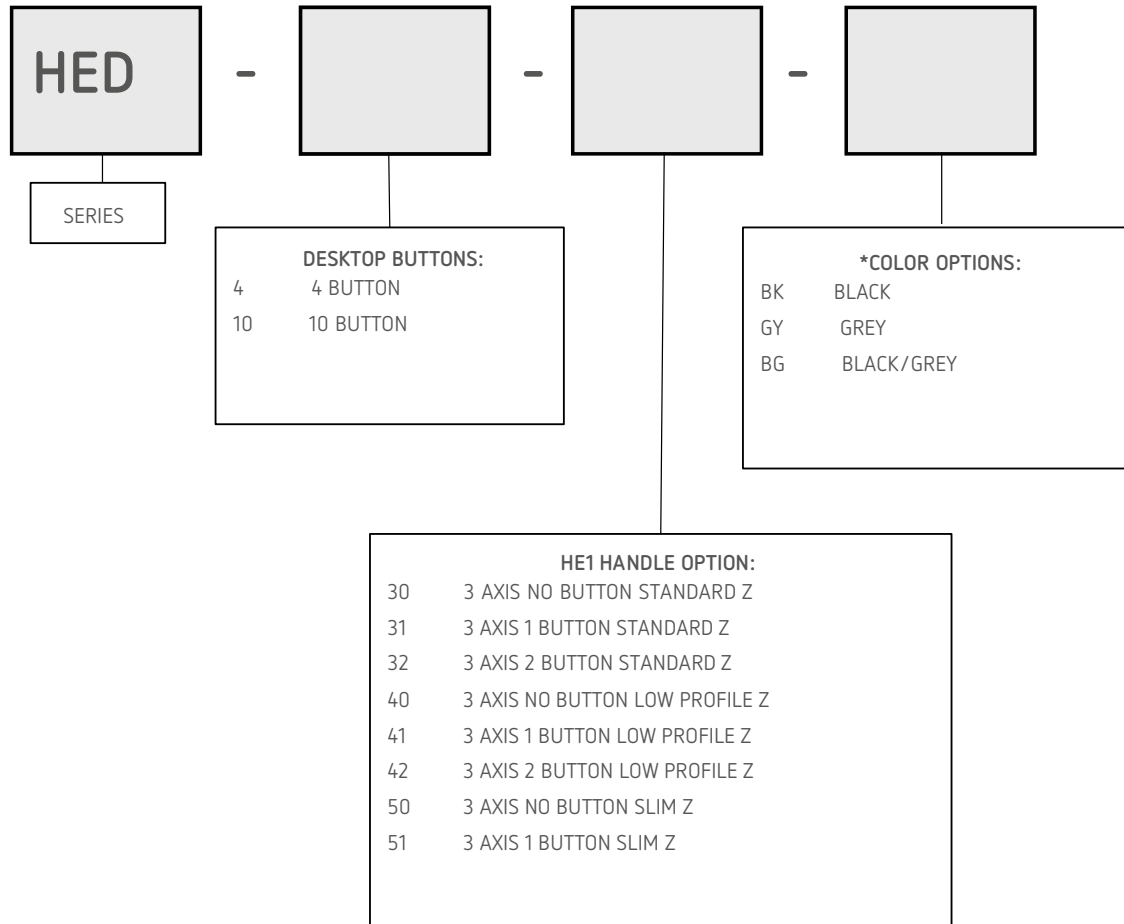
■ Specification

ENVIRONMENTAL	
Operating Temperature	-17.8°C to 60°C (0°F to 140°F) indoor use only
Storage Temperature	-40°C to 71°C (-40°F to 160°F)
EMC Immunity level	EN61000-4-3 *Compliance to 30A/m
EMC Emissions level	EN61000-6-3
ESD Immunity level	EN61000-4-2 *Compliance to ±15kV/±8kV
Approvals	FCC PART 15 CLASS B EN61000-6-3, EN61000-6-1

* Extended Testing Levels



■ Product Configuration Guide



* CABLE ALWAYS SUPPLIED IN GREY COLOR

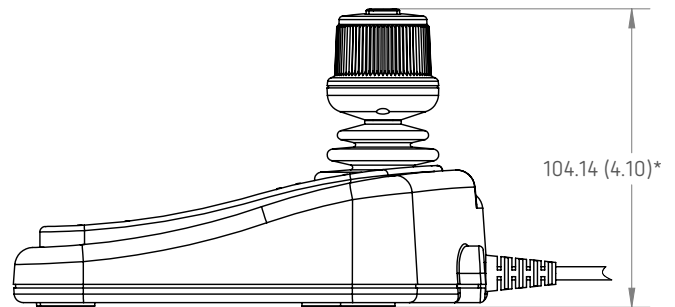
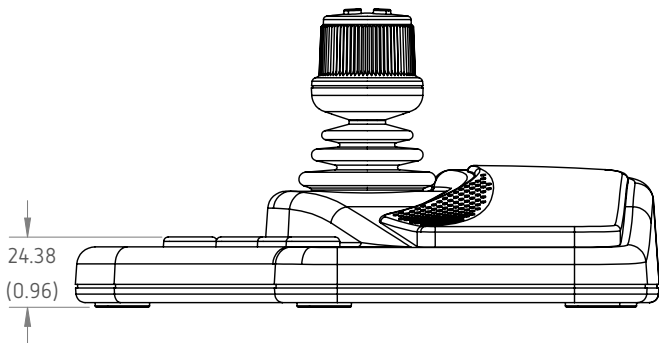
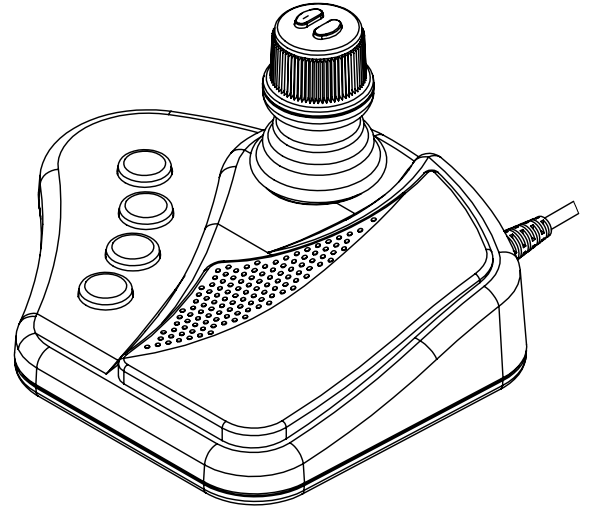
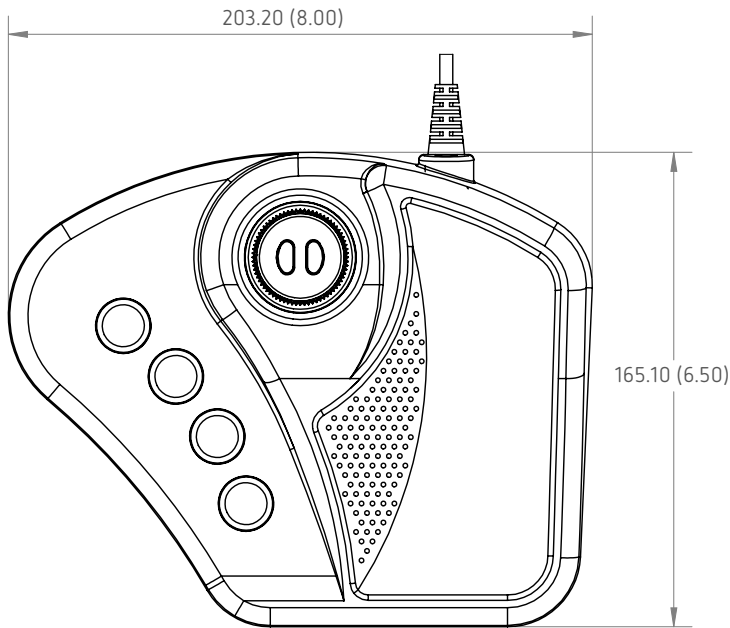
BK: All components Black Color

GY: All components Grey Color

BG: Grey Housing; Black Joystick, Palm Rest, Buttons

Mounting Options

Dimensions in millimeters (inches).



*2 BUTTON LOW PROFILE HANDLE SHOWN
(NO BUTTON LOW PROFILE HEIGHT: 3.76")