



MFD Series

USB desktop controller with integrated HE1 hall effect finger joystick



MFD Series Finger joystick



Features

- Standard delivery time 2-3 weeks
- Two- or three-axis fingertip joystick or control knob
- Variety of different configuration options

Applications

- Security systems
- Machinery control

Description

This fully customizable USB desktop controller has many different control options to choose from, including our two- and three-axis contactless hall effect and potentiometer-based joysticks and our rotary hall effect knob. Its soft silicone wrist pad provides unmatched comfort and the reliable Cherry MX switches ensure a long-life expectancy. The MFD desktop controller is easily integrated into the user's system due to its USB 1.1 compliant technology, making it perfect for CCTV applications or machine control.

Specification

JOYSTICK MECHANICAL (X & Y AXES, HALL EFFECT)

Angle Of Movement	40° (20° Each Direction)
Expected Cycle Life	5 million
Centering	spring return
Max. Vertical load	333 N (75 lbf)
Max. Horizontal load	133 N (30 lbf)*

* Measured 44.45mm (1.75") Above Panel Surface

JOYSTICK MECHANICAL (Z AXIS)

Angle	90° (45° Each Direction)
Centering	spring return
Max. APPLIED TORQUE	1.6 N (14 lbf.in)

ELECTRICAL

Resolution	10 bit
Supply voltage	5VDC via USB cable
System support	windows (all), osx, linux
Supported protocols	Usb hid 1.1 game controller, Standard directx hid drivers joystick: 3 hid axes / pushbuttons: up to 12 Hid buttons
Cable	USG male type A, 104mm (60") length

■ Specification

JOYSTICK MECHANICAL (X & Y AXES, RESISTIVE)

Angle Of Movement	50° (25° Each Direction)
Expected Cycle Life	3 million
Centering	spring return
Max. Vertical load	333 N (75 lbf)
Max. Horizontal load	107 N (24 lbf)*

* Measured 44.45mm (1.75") Above Panel Surface

SINGLE AXIS KNOB (HCK VERSION)

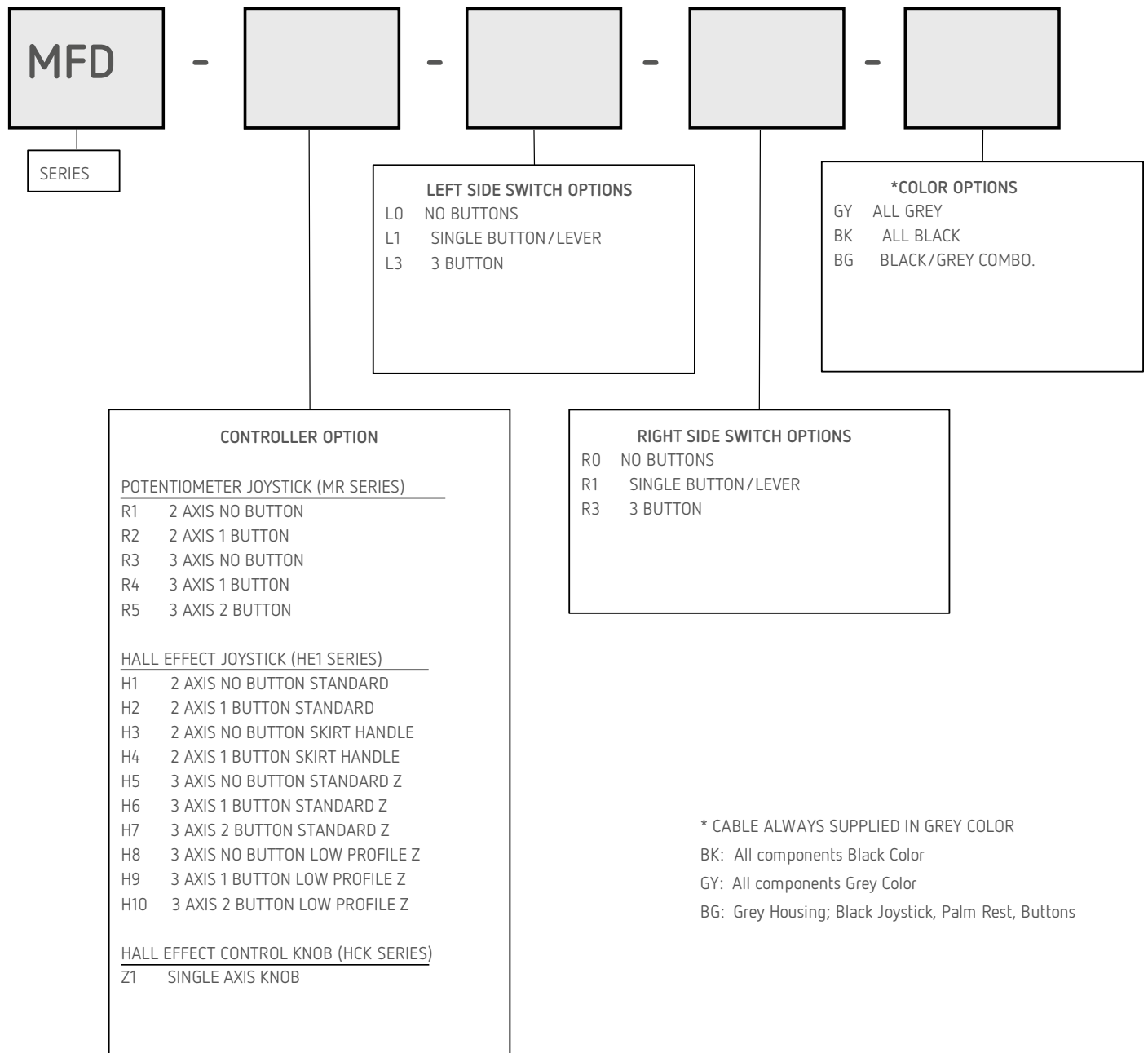
Angle	90° (45° Each Direction)
Centering	spring return
Max. Applied Torque	n/a

ENVIRONMENTAL

Operating Temperature	-17.8°C to 60°C (0°F to 140°F) indoor use only
Storage Temperature	-40°C to 71°C (-40°F to 160°F)
Approvals	FCC PART 15 CLASS B EN61000-6-3, EN61000-6-1
EMC Emissions level	EN61000-6-3
ESD Immunity level	EN61000-4-2

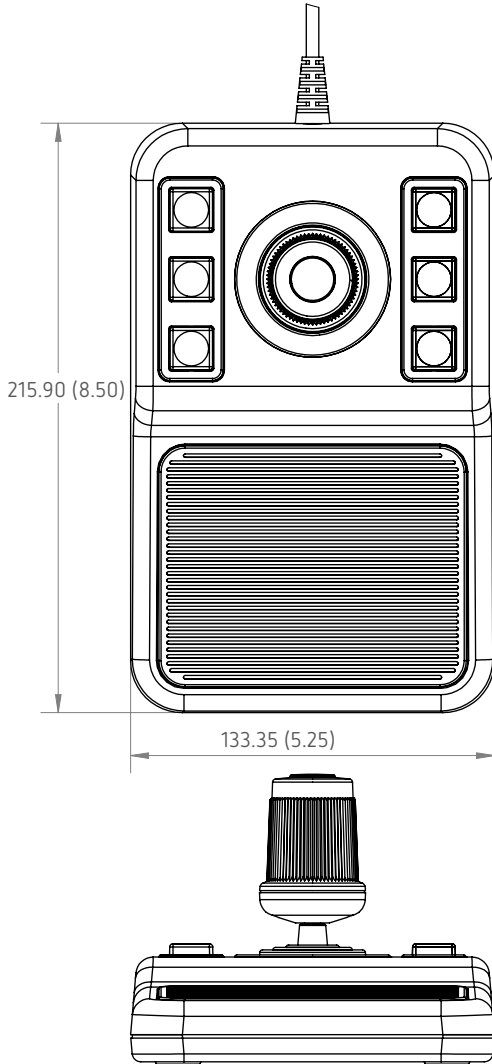


■ Product Configuration Guide

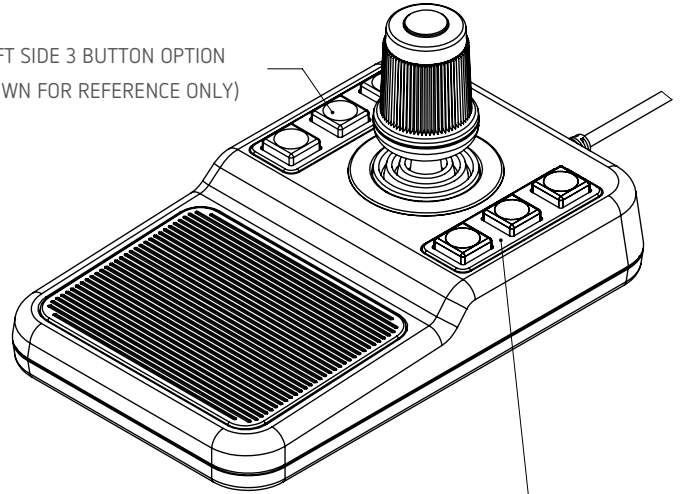


Mounting Options

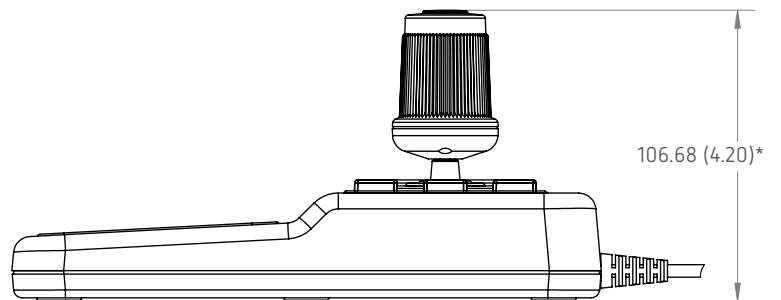
Dimensions in millimeters (inches).



LEFT SIDE 3 BUTTON OPTION
(SHOWN FOR REFERENCE ONLY)



RIGHT SIDE 3 BUTTON OPTION
(SHOWN FOR REFERENCE ONLY)



* 1 BUTTON POTENTIOMETER JOYSTICK CONTROLLER OPTION SHOWN (FOR REFERENCE)